

Description

The KMC VEP-43 Series Globe Control Valves are 3-way mixing valves used for control of hot or chilled water. These valves range in size from 1/2" to 2" and have linear flow characteristics. Self-adjusting packing and stainless steel stems make these valves ideal for many applications.

These valves utilize the KMC ControlSet Actuators. An optional "fail-safe" feature allows failure to either inlet upon loss of the 24 VAC supply.

A gear disengagement feature allows positioning of the valve stem/plug without energizing the actuator. These valves meet ANSI Class 4 specifications.

Features

- ◆ Self-adjusting packing
- ◆ Stainless steel stems
- ◆ Gear disengagement feature allows manual valve operation
- ◆ "Fail-Safe" option

Accessories/Repair Parts

The following accessories and repair parts are available for these models:

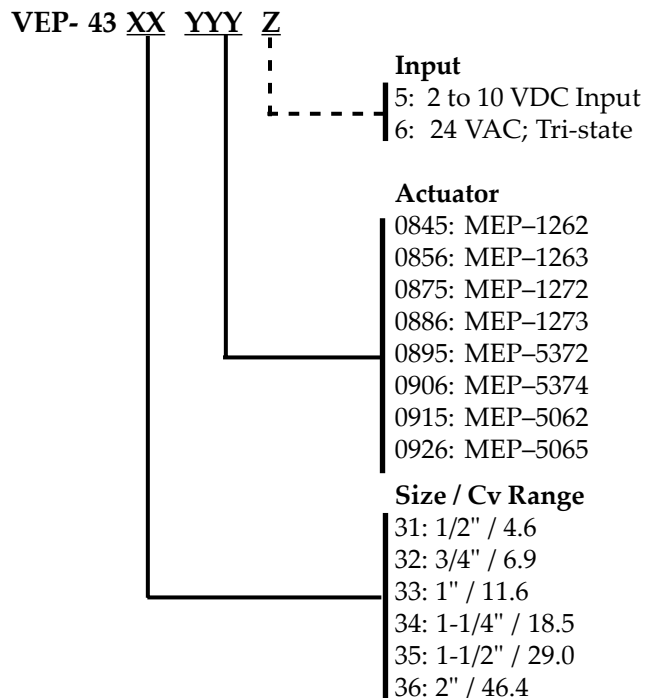
CME-1002	Single auxiliary switch*
CME-1004	Double auxiliary switch*
CME-1006	Triple auxiliary switch*
CME-2003	10K Ω , 1/3 watt, 3-wire pot*
HMO-4518	Snap-in connector for 1/2" flexible metal conduit
HMO-4520	Compression connector for plenum cable
HMO-4526	Female connector for 1/2" conduit
HPO-5013	Replacement packing kit

* For MEP-5000 Series Actuators only



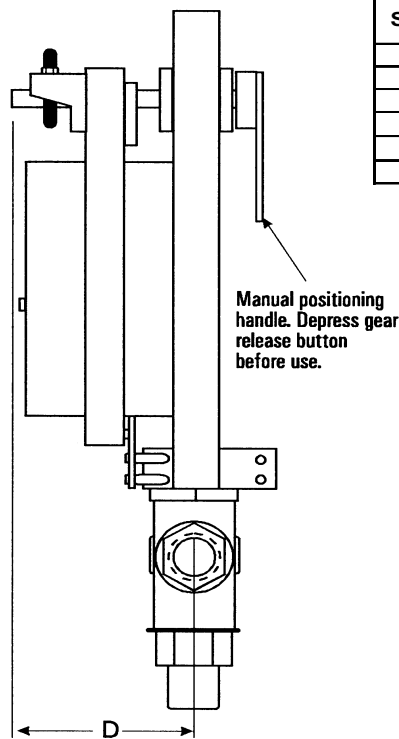
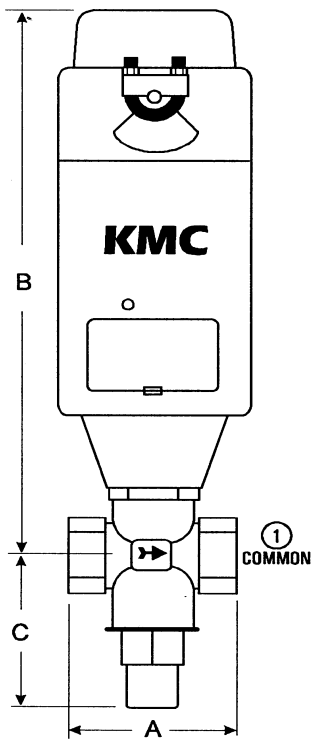
Models

Use the following chart to make your model selection:

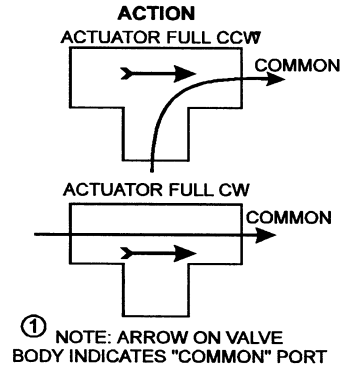


Details

All dimensions in inches (mm).



Size NPT	Dimensions in inches (mm)			
	A	B	C	D
1/2"	3.35 (85)	14.00 (356)	2.72 (69)	4.06 (103)
3/4"	3.35 (85)	14.00 (356)	2.72 (69)	4.06 (103)
1"	4.13 (105)	14.19 (360)	2.80 (71)	4.06 (103)
1-1/4"	4.72 (112)	14.31 (363)	2.95 (75)	4.06 (103)
1-1/2"	5.71 (145)	14.59 (371)	3.11 (79)	4.06 (103)
2"	6.50 (165)	14.94 (379)	3.54 (90)	4.06 (103)



Close-off Ratings/ Product Weights							
SIZE NPT	Cv	*Close-Off Rating in psi (kPa)		Weight in pounds (kg)			
		MEP-5000 Series	MEP-1200 Series	w/MEP-5000 Series	w/MEP-5300 Series	w/MEP-1260 Series	w/MEP-1270 Series
1/2"	4.6	105.0 (724)	250.0 (1724)	7.0 (3.2)	7.3 (3.3)	9.1 (4.1)	9.6 (4.4)
3/4"	6.9	105.0 (724)	250.0 (1724)	7.1 (3.2)	7.4 (3.4)	9.2 (4.2)	9.7 (4.4)
1"	11.6	63.0 (434)	171 (1179)	8.2 (3.7)	8.5 (3.9)	10.3 (4.7)	10.8 (4.9)
1-1/4"	18.5	42.0 (290)	114 (786)	9.1 (4.1)	9.4 (4.3)	11.2 (5.1)	11.7 (5.3)
1-1/2"	29.0	27.0 (186)	73 (503)	11.2 (5.1)	11.5 (5.2)	13.3 (6.0)	13.8 (6.3)
2"	46.4	18.0 (124)	48 (331)	13.6 (6.2)	13.9 (6.3)	15.7 (7.1)	16.2 (7.4)

Specifications

Action	3-way mixing
Rangeability	30 to 1
Body Rating	250 psi (1724 kPa)
Valve Sizes	1/2" through 2" NPT
Body Type	3-way mixing, female NPT inlets and outlet

Flow Characteristics Linear
Sizes & Cv Ratings See "Models" chart

Material:

Valve	Bronze body and seat , 303 Stainless steel stem, Brass plug with EPM discs EPM, V-ring type self-adjusting packing
--------------	---

Actuator	Black flame retardant polymer UL94-5V plenum rating
Linkage	Glass-filled nylon, black

Temperature Limits

Medium	35° to 250° F (2° to 121° C)
Ambient	35° to 120° F (2° to 49° C)
Shipping	-40° to 140° F (-40° to 60° C)

KMC Controls, Inc.
 19476 Industrial Drive
 New Paris, IN 46553
 574.831.5250
www.kmccontrols.com