

General purpose enclosures used for mounting electric, pneumatic and electronic control components in HVAC and building automation systems.

- All models are UL listed NEMA 1 steel enclosures.
- Full hinged door with key locking latch.
- Supplied with pre-mounted removable subpanel.

APPROVALS: NEMA 1; UL listed; C-UL Canada.

CONSTRUCTION:

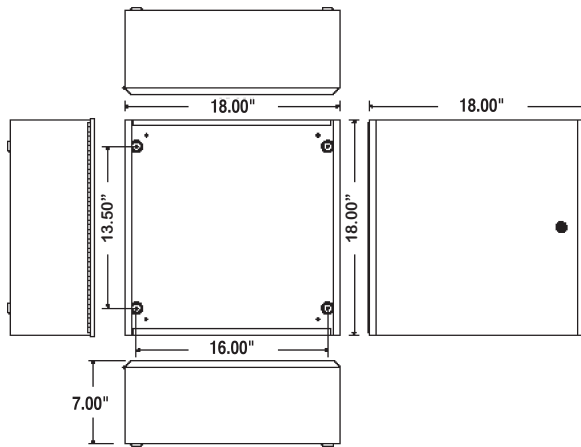
Cabinet and Door: 14 or 16 gauge steel.

Subpanel: Laminated polymetal, plenum rated.

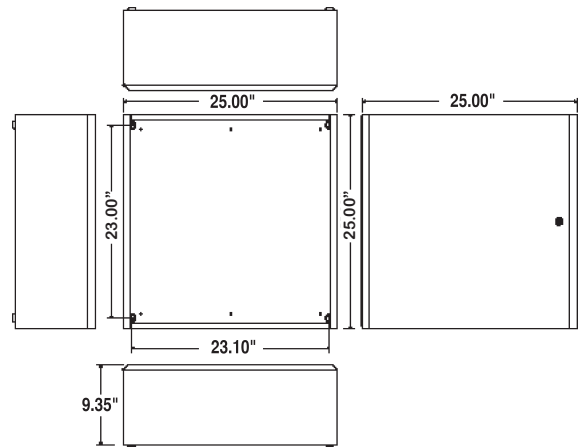
DOOR HINGE: Full continuous hinge.

LOCK: Key operated latch.

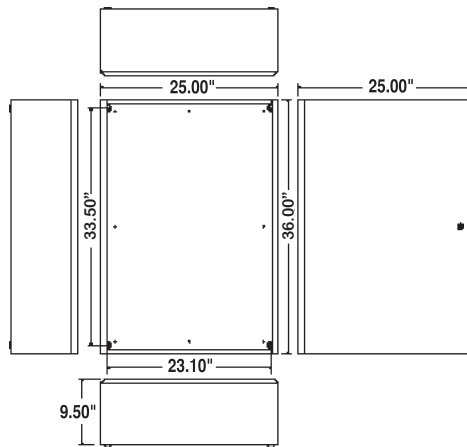
COLOR: Gray.



MH4403L



MH5503L



MH5803L

Model	Steel Gauge	Cabinet Dimensions - Inches (cm)			Subpanel Dimensions - Inches (cm)			Weight (lbs)
		Height	Width	Depth	Height	Width	Mtg. Area	
MH4403L	16	18" (45.7)	18" (45.7)	7" (17.8)	16.875" (42.9)	15.75" (40)	265.7 in ²	21.2
MH5503L	14	25" (63.5)	25" (63.5)	9.5" (24.1)	23" (58.4)	22.5" (57.1)	517.5 in ²	51.7
MH5803L	14	36" (91.4)	25" (63.5)	9.5" (24.1)	34.5" (87.6)	22.5" (57.1)	765 in ²	68.6