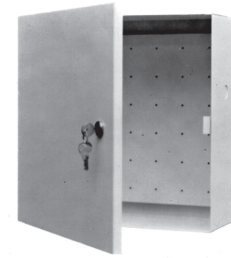


P-14, 18, 24, 36
NEMA 1 ENCLOSURES
U.L. Listed

General purpose enclosures used for mounting pneumatic, electric and electronic control components.

- All models are NEMA 1 type enclosures with U.L. listing.
- Baked on enamel finish over 16 gauge galvaneal steel.
- Furnished with key locking latch and two keys.
- Removable subpanel with mounting holes for control devices.
- Cabinet can be positioned for either left or right door opening.
- Mounting keyslots and 8 knockouts for ease of installation.

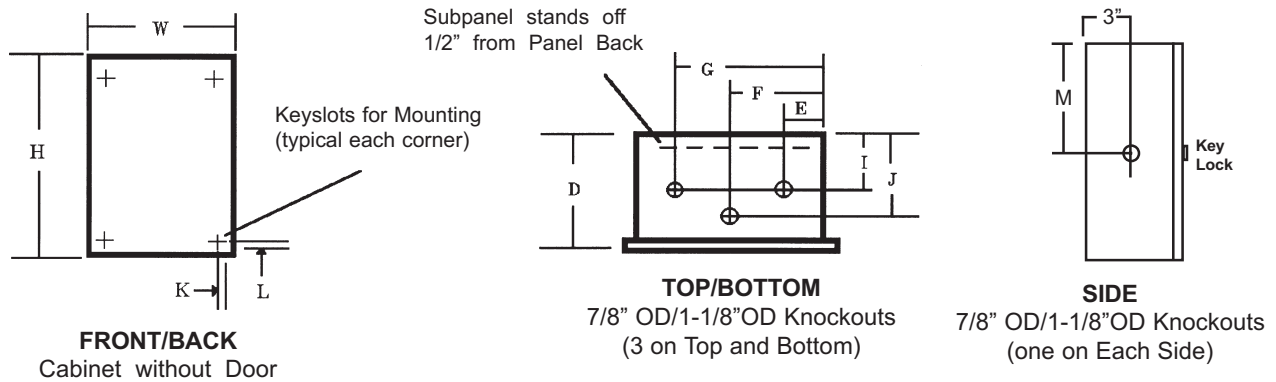


APPROVALS: NEMA 1; UL listed.

CONSTRUCTION:

- Cabinet & Door: 16 gauge galvaneal steel.
- Subpanel: 16 gauge galvaneal steel with 1/8"OD (3.2mm) holes on 2" (51mm) centers
- Door Hinge: Continuous piano hinge.

- Lock: Key operated latch.
- Knockouts: Combination 7/8"OD/1-1/8"OD (22/29mm).
- MOUNTING: Surface using mounting keyslots.
- FINISH: Baked on enamel.
- COLOR: Tan.



DIMENSIONS IN INCHES (CM)

Model	W	H	D	E	F	G	I	J	K	L	M
P-14	12 (30.5)	14 (35.6)	4 (10.2)	2 (5.1)	5.88 (14.9)	9.75 (24.8)	2 (5.1)	2 (5.1)	0.75 (1.9)	0.75 (1.9)	7 (17.8)
P-18	16 (40.7)	18 (45.7)	6 (15.3)	2.19 (5.6)	8.13 (20.7)	14.19 (36)	3 (7.6)	4 (10.2)	0.75 (1.9)	0.75 (1.9)	9 (22.9)
P-24	20 (50.8)	24 (61)	6 (15.3)	2 (5.1)	9.88 (25.1)	17.81 (45.3)	2.25 (5.7)	3.88 (9.84)	0.75 (1.9)	0.75 (1.9)	12 (30.5)
P-36	24 (61)	36 (91.5)	6 (15.3)	2.88 (7.3)	12 (30.5)	21.13 (53.7)	2.06 (5.24)	2.94 (7.46)	0.75 (1.9)	0.75 (1.9)	18 (45.7)

Model	Cabinet -- Inches (cm)			Subpanel -- Inches (cm)		Weight
	Width	Height	Depth	Width	Height	
P-14	12" (30.5)	14" (35.6)	4" (10.2)	10" (25.4)	12" (30.5)	14 lbs (6.4 kg)
P-18	16" (40.7)	18" (45.7)	6" (15.3)	14" (35.6)	16" (40.7)	24 lbs (10.9 kg)
P-24	20" (50.8)	24" (61)	6" (15.3)	18" (45.7)	22" (55.9)	36 lbs (16.4 kg)
P-36	24" (61)	36" (91.5)	6" (15.3)	22" (55.9)	34" (86.4)	59 lbs (26.9 kg)