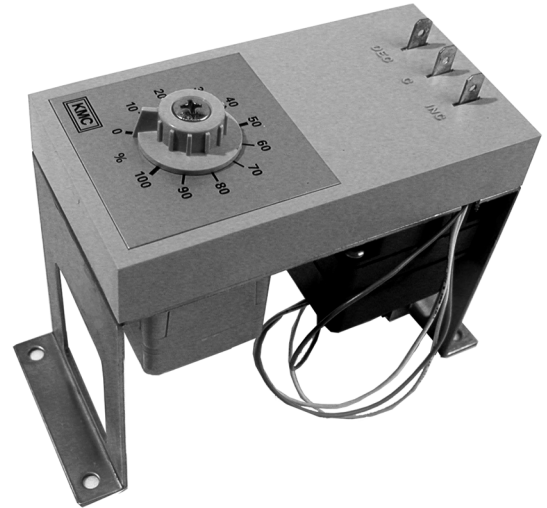


Description

The YEC-1101 is used as an interface between energy management systems and pneumatic final control devices. The unit is designed to remotely position control valves and damper actuators, and reset receiver-controllers. The switch may be driven in either direction, by the application of a 24 VAC signal, to adjust a pneumatic output signal between 2 to 18 psi (14 to 124 kPa).

Applications include the remote positioning of control valves and damper actuators, and the reset of receiver-controllers. Visual indication is provided by the scale plate referencing the percentage of output being produced.



Features

- ◆ Bidirectional action
- ◆ Adjustable signal 2 to 18 psi (14-124 kPa)
- ◆ Compact size

Accessories

HFO-0120 Elbow fitting

Specifications

Main Air Pressure 20 psig (138 kPa) normal, 30 psig maximum (207 kPa)

Output Range 2 to 18 psi (14 to 124 kPa)

Air Consumption 28.8 scim (7.87 mL/s)

Connections Air: 3/16" (5 mm) fittings for 1/4" (6 mm) O.D. Polyethylene tubing

Electrical: Push-on terminals, 1/4" (6 mm)

Output Timing 0.32 psi/sec (2.2 kPa/sec)

Supply Voltage 24 VAC +20%, -15%

Supply Power 2 VA @ 24 VAC

Materials ABS, UL flame Class 94HB

Weight 18 oz. (.45 kg)

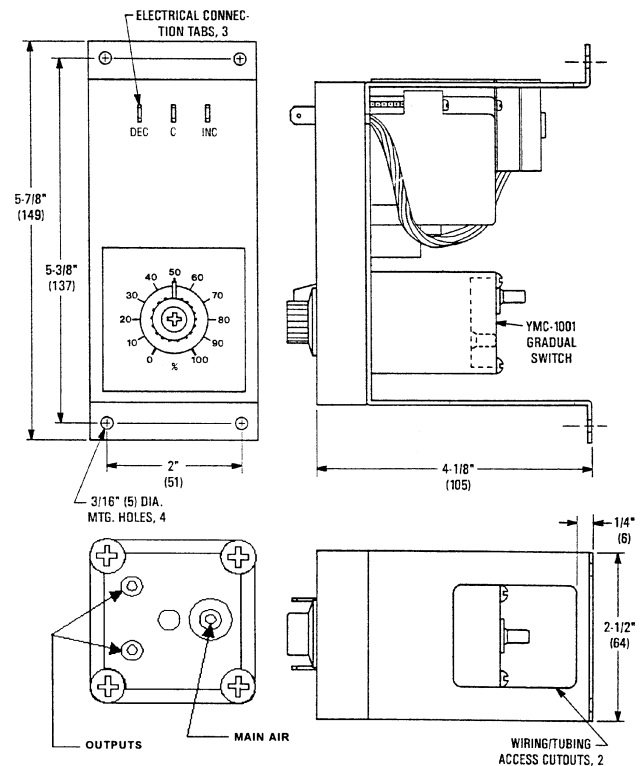
Temperature Limits

Operating 40° to 120° F (4° to 49° C)

Shipping -40° to 140° F (-40° to 60° C)

Details

All dimensions in inches (mm).



KMC Controls, Inc.
 19476 Industrial Drive
 New Paris, IN 46553
 574.831.5250
www.kmcccontrols.com