

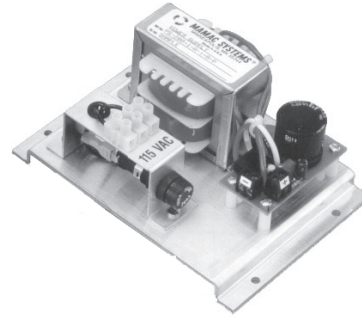
# PS-200 Series

## DC POWER SUPPLIES

### Regulated

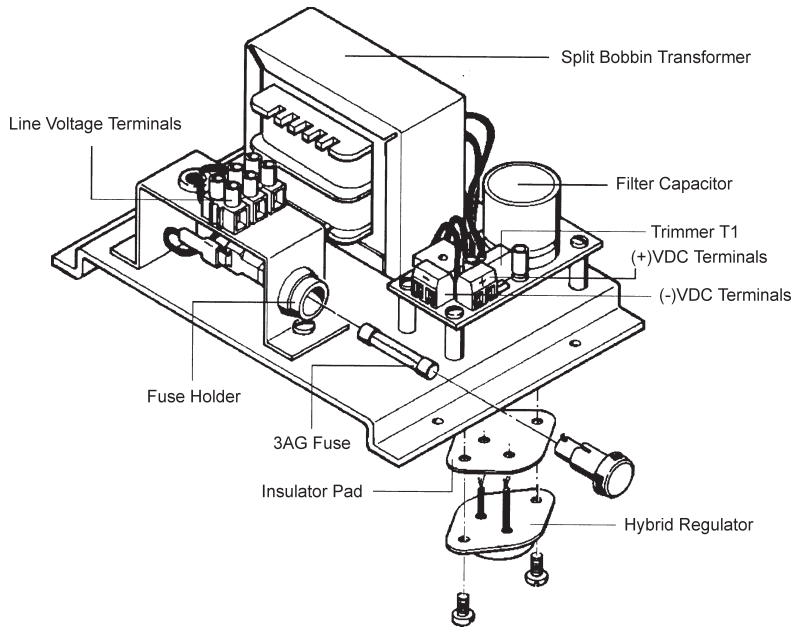
Converts AC power into DC regulated power. Typically used as a power supply for devices in building automation systems.

- Output fully adjustable from 5.0 to 25.0 vdc.
- Models available for 24 vac or 115 vac input.
- Split bobbin transformer with 3500 VRS isolation provides reliable and consistent secondary output.
- Full wave bridge rectifier converts AC to DC output.
- Easily accessible inline fuse protection on input AC.
- Built in short circuit, thermal overload, inrush and line voltage spike protection.
- Low height chassis for ease in panel mounting.



**INPUT VOLTAGE:** 24 to 29 vac; or 90 to 130 vac.  
**OUTPUT VOLTAGE:** 5.0 to 25.0 vdc, adjustable.  
**CURRENT LIMIT:** 130% rated current.  
**LINE REGULATION:** 0.01%/volt.  
**LOAD REGULATION:** 0.2% (no load to full load).  
**OUTPUT RIPPLE:** 2.0 mV pp maximum.  
**OUTPUT SHORT CIRCUIT:** Indefinite.  
**RECTIFICATION:** Full wave.

**THERMAL OVERLOAD:** Internally protected.  
**INLINE FUSE:** 3AG 1.0/2.0.  
**OPERATING AMBIENT:** -40° to 120°F (-40° to 49°C) @ 90% RH non-condensing maximum.  
**MOUNTING:** Flush mounting in panel without stand-offs.  
**DIMENSIONS:** 6"L x 5.625"W x 2.775"H (152x143x71mm).  
**WEIGHT:** 1.5A = 2.5 lbs; 3.0A = 3 lbs.



### CALIBRATION

All units are factory calibrated for a specific output voltage. For field adjustment of the output voltage, proceed as follows:

- [1] Connect appropriate input voltage to the power supply unit.
- [2] Connect the + lead of a voltmeter to the unit's output + terminal and the - lead to the unit's output - terminal.
- [3] Adjust the unit's multi-turn trimmer T1 to the desired output voltage between 5.0 to 25.0 vdc.

Model No.	Input Voltage	Output Voltage		Output Current
		Factory Set	Range	
PS-200-1-A-1-L	115 vac	24 vdc	5 to 25 vdc adjustable	1.5 amps
PS-200-1-A-3-L	24 vac			
PS-200-2-A-1-L	115 vac	12 vdc		
PS-200-2-A-3-L	24 vac			
PS-200-3-A-1-L	115 vac	5 vdc		
PS-200-3-A-3-L	24 vac			
PS-200-1-B-1-L	115 vac	24 vdc	5 to 25 vdc adjustable	3.0 amps
PS-200-2-B-1-L		12 vdc		
PS-200-3-B-1-L		5 vdc		

For cross reference to part numbers of system/peripheral manufacturers, go to PS-200 link on www.dynacononline.com.