

## RIBM02ZNDC

### DRY CONTACT RELAY

4.00" Track Mount Relay 30 Amp DPDT, Class 2 Dry Contact Input, 208-277 Vac Power



#### SPECIFICATIONS

- # Relays & Contact Type: One (1) DPDT Continuous Duty Coil
- Expected Relay Life: 10 million cycles minimum mechanical
- Operating Temperature: -30 to 140° F
- Relay Status: Red LED On = Activated
- Power Status: Green LED On = Activated
- Dimensions: 2.875" x 4.000" x 1.750"
- Track Mount: 4.000", See MT4 Series on page 148  
MT4 Mounting Track Sold Separately
- Approvals: UL Component Recognized, UL916  
 C-UL, CE
- Gold Flash: Yes
- Override Switch: No

#### Contact Ratings:

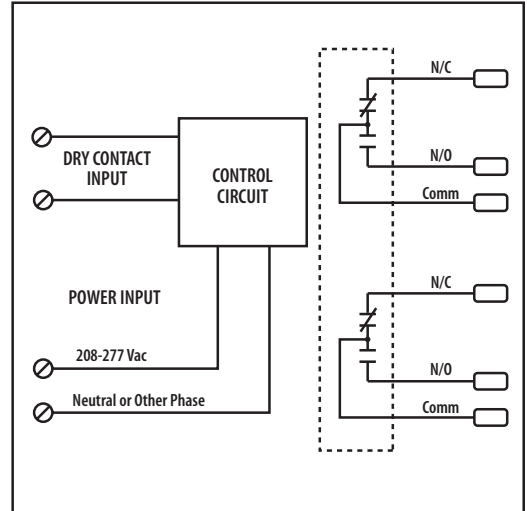
- 30 Amp Resistive @ 300 Vac
- 25 Amp Resistive @ 28 Vdc
- 15 Amp Resistive @ 600 Vac
- 3 HP @ 480-600 Vac
- 2 HP @ 240/277 Vac
- 1 HP @ 120 Vac
- 20 Amp Ballast @ 277-480 Vac
- 770 VA @ 120 Vac
- 1158 VA @ 240 Vac
- 1109 VA @ 277 Vac
- 1640 VA @ 480 Vac
- NEMA B600 Pilot Duty

#### Power Input:

95 mA @ 208-277 Vac

#### Notes:

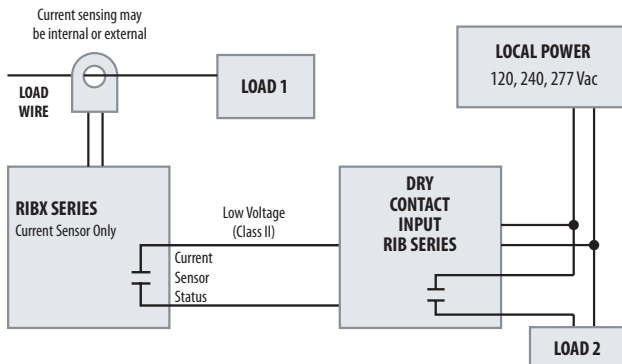
- » **Dry Contact Input Operation:**  
 Close Dry Contact Input to activate relay.



## NOTES

### INTERLOCKING LOADS (NO TRANSFORMER)

Self-powered Current Sensors of the RIBX Series and relays of the Dry Contact Input RIB Series may be applied to interlock Load 2 to Load 1.



#### DRY CONTACT INPUT RELAYS

- RIB21CDC
- RIB01BDC
- RIB01SBDC
- RIB02BDC
- RIB02SBDC
- RIBM01ZNDC
- RIBM02ZNDC
- RIBM013PNDC
- RIBD01BDC (Time Delay)
- RIBD02BDC (Time Delay)

#### CURRENT SENSORS

- RIBXKF RIBXRF
- RIBXKTF RIBXRA
- RIBXKA RIBXJF
- RIBXKTA RIBXJA
- RIBXGA RIBMXF
- RIBXGF RIBMXA
- RIBXGTA RIBMXRF
- RIBXGTF RIBMXRA
- RIBXGFL RIBMXJF
- RIBXGFTL RIBMXJA
- RIBXF
- RIBXA