

RIB2421C

10 AMP PILOT CONTROL RELAY

Enclosed Relay 10 Amp SPDT with 24 Vac/dc/120-277 Vac Coil



SPECIFICATIONS

- # Relays & Contact Type: One (1) SPDT Continuous Duty Coil
- Expected Relay Life: 10 million cycles minimum mechanical
- Operating Temperature: -30 to 140° F
- Operate Time: 20mS
- Relay Status: LED On = Activated
- Dimensions: 1.70" x 2.80" x 1.50" with .50" NPT nipple
- Wires: 16', 600V Rated
- Approvals: UL Listed, UL916, UL864, C-UL
California State Fire Marshal, CE
- Housing Rating: Plenum, NEMA 1
- Gold Flash: No
- Override Switch: No

Contact Ratings:

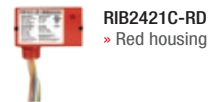
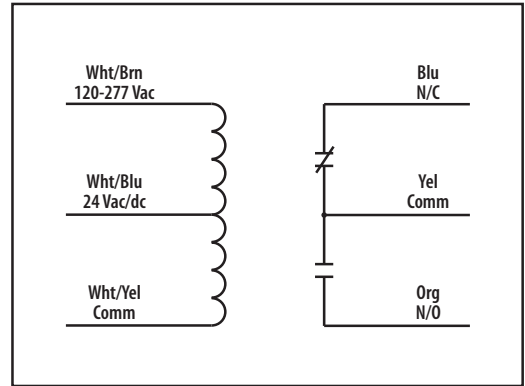
- 10 Amp General Use @ 277 Vac
- 10 Amp Resistive @ 30 Vdc N/O
- 7 Amp Resistive @ 30 Vdc N/C
- 1/2 HP @ 125 Vac
- 1 HP @ 250 Vac
- 1/4 HP @ 277 Vac
- 470 VA Pilot Duty @ 125 Vac
- 770 VA Pilot Duty @ 250 Vac

Coil Current:

- 24 mA @ 20 Vac
- 28 mA @ 24 Vac
- 44 mA @ 35 Vac
- 20 mA @ 120 Vac
- 49 mA @ 277 Vac
- 13 mA @ 20 Vdc
- 16 mA @ 24 Vdc
- 25 mA @ 35 Vdc

Coil Voltage Input:

- 24 Vac/dc ; 120-277 Vac ; 50-60 Hz
- Drop Out = 3 Vac / 3.8 Vdc
- Pull In = 20 Vac / 20 Vdc



RIB2421C-RD
» Red housing



RIB2421C-N4
» NEMA 4X housing

NOTES