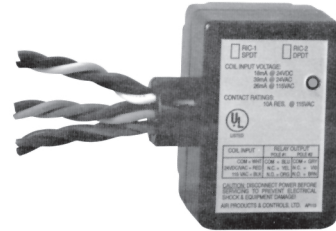


RIC-1, RIC-2
CONTROL RELAYS
AC/DC, 10 AMPS
Spud Mount

Provide 10 amp Form C contacts in a spud mounted relay module that accepts multiple input voltages. Commonly used as a remote relay for control or status feedback in HVAC, temperature control, fire alarm, building automation and lighting control systems.

- Powered by any one of multiple input voltages.
- SPDT or DPDT 10 amp resistive Form C contacts.
- Spud mounts into 1/2" knockout on junction box.
- Red LED indication when relay coil is energized.



APPROVALS: U.L. listed.

RELAY TYPE: RIC-1: (1) SPDT, Form C.

RIC-2: (2) SPDT, Form C.

CONTACT RATINGS: 10 amps resistive @ 115 vac.

COIL VOLTAGE: 24 vac, 115 vac, 24 vdc.

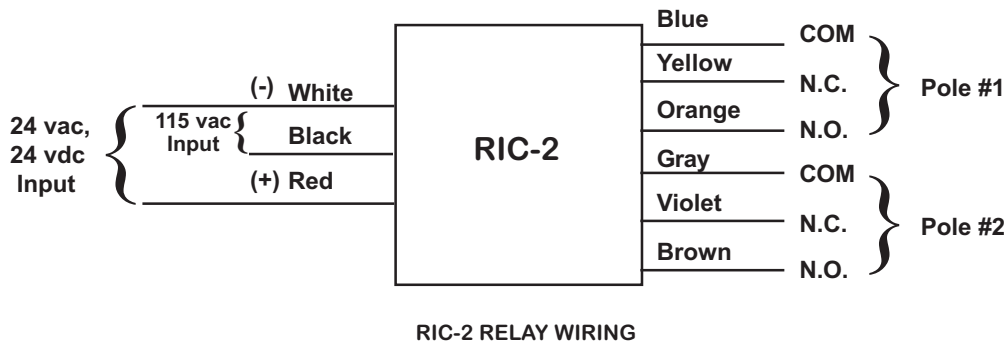
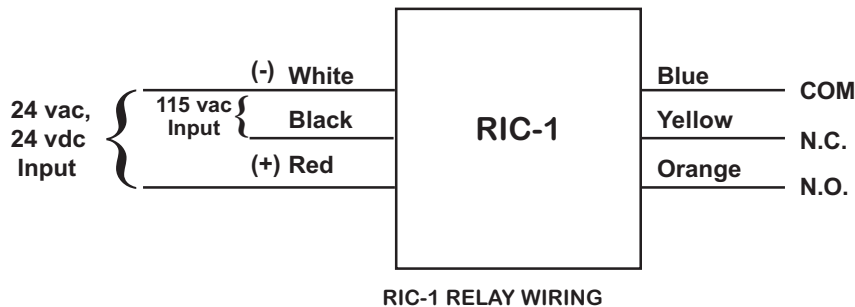
POWER CONSUMPTION: 39 ma @ 24 vac; 26 ma @ 115 vac;
 18 ma @ 24 vdc.

AMBIENT TEMPERATURE: -58°F to 185°F (-50°C to 85°C).

WIRING CONNECTIONS: 12-inch leadwires (305mm).

MOUNTING: Spud snaps into 1/2 inch (12.7mm) knockout in a junction box or other enclosure.

DIMENSIONS: 1.75" x 2.5" x 1.25" (44.5 x 63.5 x 31.8mm).



Model	Coil Voltage	Relay Type	Contact Rating	Comments
RIC-1	24 vac, 115 vac or 24 vdc	SPDT	10 amps resistive @ 115 vac	snap-in spud mounts into 1/2" (12.7mm) knockout
RIC-2		DPDT		