

LD SERIES RELAYS

MULTI-VOLTAGE, ENCASED

10 Amp, 20 Amp

Provide general purpose switching of electrical loads or status feedback in HVAC, temperature control, fire alarm, security, building automation and lighting control systems.

- Supplied mounted and prewired in compact plastic enclosure.
- All coil and relay wires exit through single NPT nipple.
- Powered by any one of multiple AC and DC voltages.
- Externally visible LED indicates relay status.
- "Closed-Open-Auto" override switch option available.

DYNACON INC
www.dynacononline.com



LD96144, LD96200,
LD96152, LD97440



LD95100, LD96510,
LD97200

APPROVALS: U.L. listed; ULC listed; UL508.

RELAY LIFE RATING: 10 million cycles mechanical, min.

RELAY STATUS: Relay activated when LED lit.

FREQUENCY: 50/60 Hz for all AC voltages.

OVERRIDE: "Closed-Open-Auto" switch.

OPERATING AMBIENT: -40° to 150°F (-40° to 65°C).

LEADWIRES: 24 inches (61cm).

ENCLOSURE: PLenum rated, NEMA 1.

MOUNTING: Surface or NPT nipple (hub).

DIMENSIONS:

LD96144, LD96152, LD96200, LD97440: 1.7"x2.8"x1.5".

LD95100, LD96510, LD97200: 4"x4"x1.8".

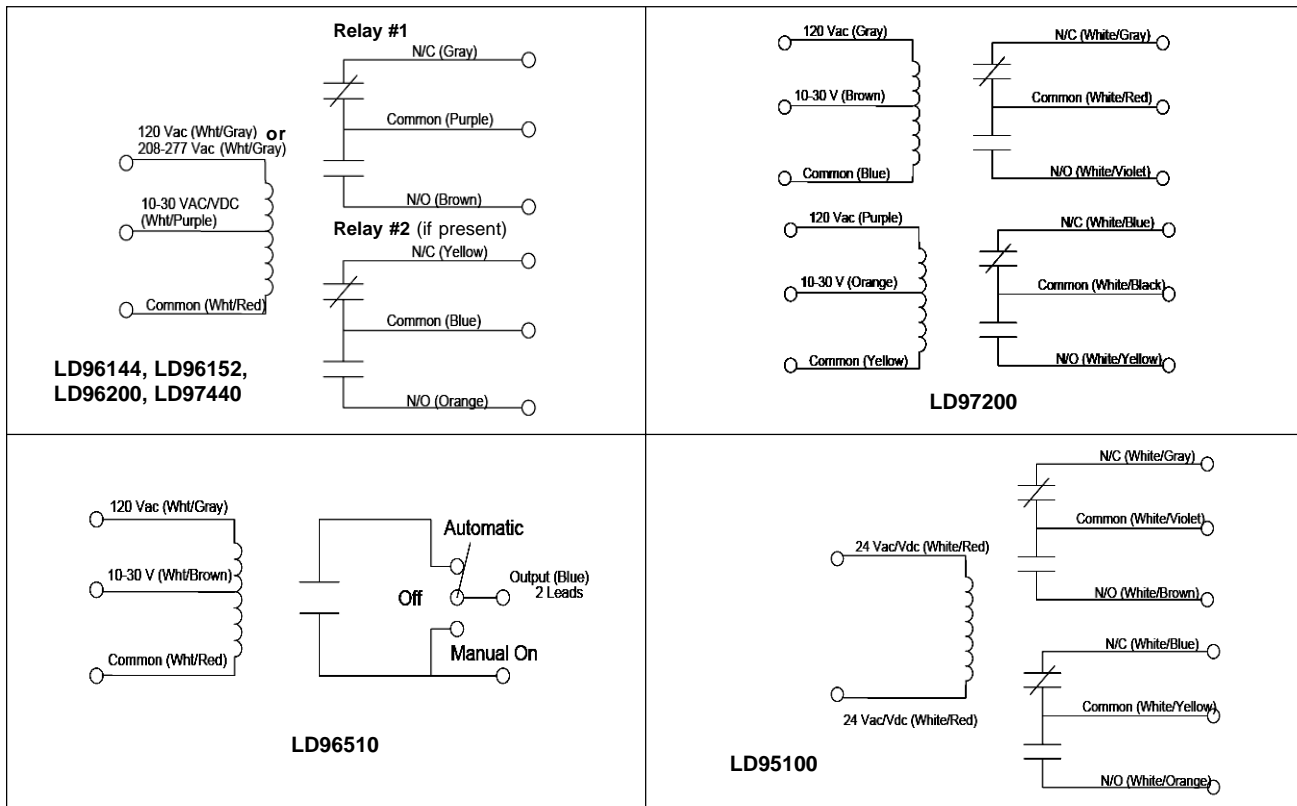
MAXIMUM COIL CURRENT (NOMINAL)

	LD95100, LD97440	All Other Models
12 vdc	45ma	14 ma
24 vdc	55 ma	16 ma
24 vac	70 ma	42 ma
120 vac	40 ma	35 ma

COIL PULL-IN/DROP-OUT VOLTAGE

Pull-in: 9 vac / 10 vdc / 105 vac
Drop-out: 2.0 vac / 2.8 vdc / 35 vac

WIRING



Model	Input Voltage		Relay Type	Contact Rating*	Horsepower Ratings		H.O.A. Switch	Nipple Size
	AC/DC	AC			@ 120 Vac	@ 240 Vac		
LD96144	24-30	120	1-SPDT	10 Amp	1/4 HP N/C; 1 HP N/O	1/2 HP N/C; 2 HP N/O	----	1/2" NPT
LD96200	10-30	120	1-SPDT	10 Amp	1/6 HP N/C; 1/3 HP N/O	1/6 HP N/C; 1/3 HP N/O	----	1/2" NPT
LD96152	10-30	208-277	1-SPDT	10 Amp	1/6 HP N/C; 1/3 HP N/O	1/6 HP N/C; 1/3 HP N/O	----	1/2" NPT
LD97440	10-30	24/120	1-DPDT	10 Amp	1/3 HP N/C; 1/2 HP N/O	1/3 HP N/C; 1/2 HP N/O	----	1/2" NPT
LD96510	10-30	120	1-SPST	10 Amp	1/3 HP N/O	1/3 HP N/O	X	3/4" NPT
LD97200	10-30	120	2-SPDT	10 Amp	1/6 HP N/C; 1/3 HP N/O	1/6 HP N/C; 1/3 HP N/O	----	1/2" NPT
LD95100	20-30	18-24	1-DPDT	20 Amp	1 HP	1-1/2 HP	----	1/2" NPT

* Resistive