

MR Series

MODULAR PANEL RELAYS

AC/DC, 10 AMPS

Provide general purpose switching of electrical loads or status feedback in HVAC, temperature control, fire alarm, security, building automation and lighting control systems.

- Powered by any one of multiple input voltages.
- 10 amps SPDT or DPDT relay contacts.
- Track, spacer or enclosed mounting.
- Multiple relays available in snap-apart modules.
- Red LED indication when relay is energized.
- On/Auto/Off manual switch on MR-600 series.

APPROVALS:

Track/Spacer Mounted: U.L. recognized.
Models in Enclosures: U.L. listed.

RELAY TYPE: SPDT or DPDT depending on model.

CONTACT RATING: 10 amps @ 115 vac.

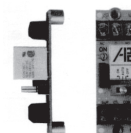
COIL VOLTAGE: Multiple AC/DC depending on model.



MR-101-T
MR-201-T



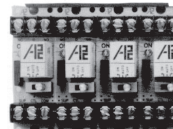
MR-101C, MR-201C



MR-601S, MR-801S



MR-104-T, MR-204-T

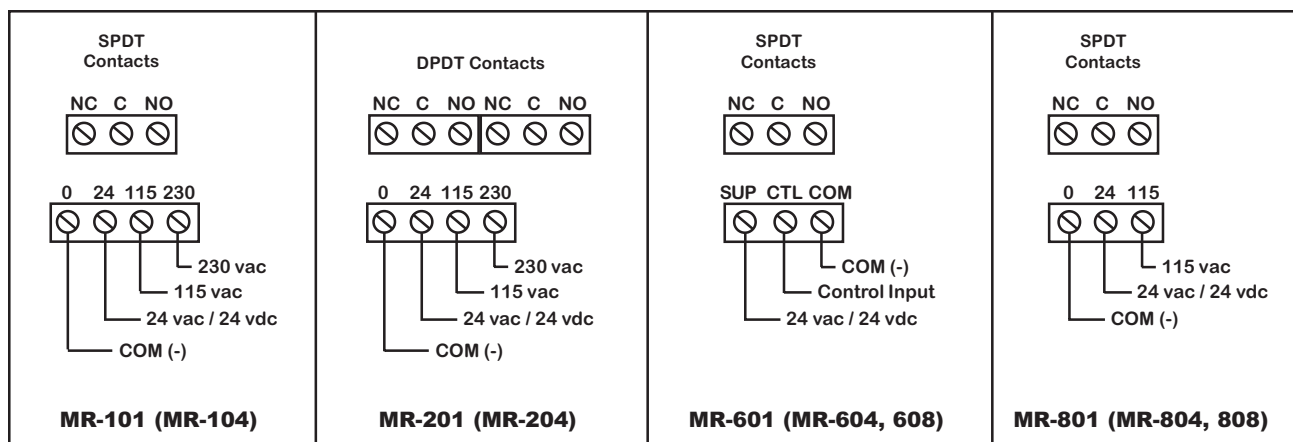


MR-604T, MR-804T

POWER CONSUMPTION: 15 ma (MR-100, 600, 800 series).
35 ma (MR-200 series).

MOUNTING: Track, spacer or enclosed depending on model.
AMBIENT TEMPERATURE: -60°F to 185°F (-50°C to 85°C).

WIRING DIAGRAMS (Typical For Each Relay Section)



Use Only One of Available Coil Input Voltages per Relay Section

Model	Coil Voltage	10 AMP Relays	Description	Dimensions (H x W x D)
MR-101-T MR-101-C MR-104-T MR-104-C	24, 115, 230 vac; 24 vdc	(1) SPDT (1) SPDT (4) SPDT (4) SPDT	track mounting (included) supplied in enclosure track mounting (included) supplied in enclosure	3.25" x 2.13" x 1.5" (83mm x 54mm x 38mm) 5.13" x 3.13" x 2.5" (130mm x 80mm x 64mm) 3.25" x 8.5" x 1.5" (83mm x 215mm x 38mm) 5.13" x 9.5" x 2.5" (130mm x 241mm x 64mm)
MR-201-T MR-201-C MR-204-T MR-204-C	24, 115, 230 vac; 24 vdc	(1) DPDT (1) DPDT (4) DPDT (4) DPDT	track mounting (included) supplied in enclosure Track mounting (included) supplied in enclosure	3.25" x 2.13" x 1.5" (83mm x 54mm x 38mm) 5.13" x 3.13" x 2.5" (130mm x 80mm x 64mm) 3.25" x 8.5" x 1.5" (83mm x 215mm x 38mm) 5.13" x 9.5" x 2.5" (130mm x 241mm x 64mm)
MR-601-T MR-604-T MR-608-T	24 vac; 24 vdc	(1) SPDT (4) SPDT (8) SPDT	On-Auto-Off manual switch; track mounting (included)	3.25" x 1.06" x 1.38" (83mm x 27mm x 35mm) 3.25" x 4.25" x 1.38" (83mm x 108mm x 35mm) 3.25" x 8.5" x 1.38" (83mm x 216mm x 35mm)
MR-801-T MR-801-S MR-804-T MR-804-S MR-808-T MR-808-S	24 vac, 115 vac; 24 vdc	(1) SPDT (1) SPDT (4) SPDT (4) SPDT (8) SPDT (8) SPDT	track mounting (included) spacer mounting (included) track mounting (included) spacer mounting (included) track mounting (included) spacer mounting (included)	3.25" x 1.06" x 1" (83mm x 27mm x 25.4mm) 3.25" x 1.06" x 1" (83mm x 27mm x 25.4mm) 3.25" x 4.25" x 1" (83mm x 108mm x 25.4mm) 3.25" x 4.25" x 1" (83mm x 108mm x 25.4mm) 3.25" x 8.5" x 1" (83mm x 216mm x 25.4mm) 3.25" x 8.5" x 1" (83mm x 216mm x 25.4mm)