

## Description

The KMC CMC-1002 Metal Positive Positioner is designed for use with KMC pneumatic damper actuators. The CMC-1002 can be factory mounted or field installed on 3", 4", or 6" stroke actuators and is typically used on metal actuators but it may be used with non-metallic units.

The start-point is adjustable from 3 to 10 psi. The overall span is a function of the feedback spring used. Feedback springs are available separately in 5 and 10 psi spans.

Use CMC-1002 positioners with actuators containing an 8 to 13 psi spring to provide equal force on the power and return strokes.

## Features

- ◆ Factory mounted or field installed on 3", 4", or 6" stroke actuators
- ◆ Adjustable start point
- ◆ Adjustable overall span

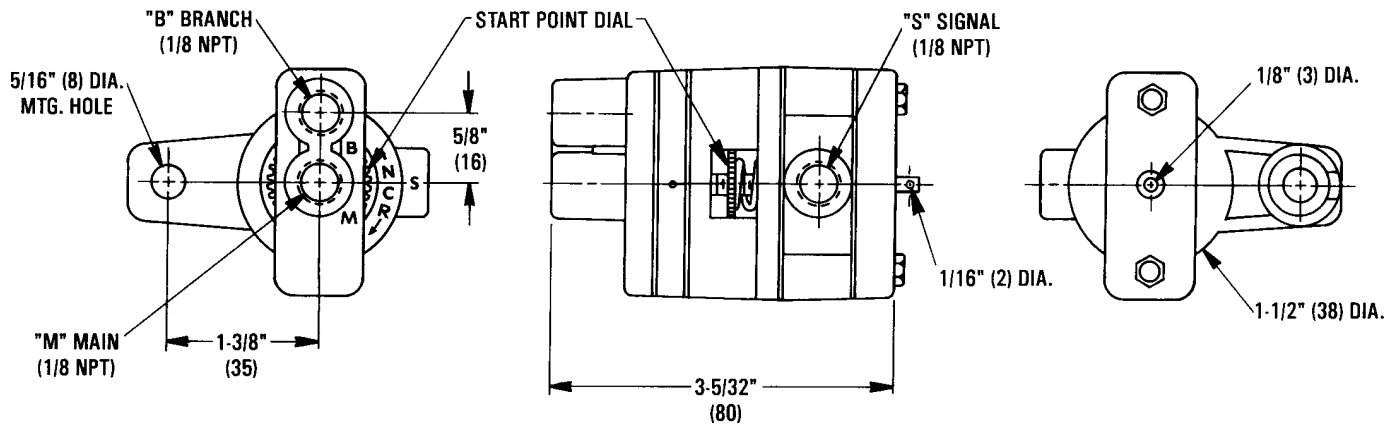


## Accessories

VTD-1500	Feedback arm
VTD-2254	Spring; 3" stroke, 5 psi span
VTD-2253	Spring; 4" stroke, 5 psi span
VTD-2256	Spring; 6" stroke, 5 psi span
VTD-2264	Spring; 3" stroke, 10 psi span
VTD-2263	Spring; 4" stroke, 10 psi span
VTD-2266	Spring; 6" stroke, 10 psi span

## Details

All dimensions in inches (mm)



## Specifications

**Supply Pressure** 20 to 30 psig (138–207 kPa)

**Air Consumption** 28.8 scim @ 20 psig  
(7.87 mL/s @ 138 kPa)

**Connections** 1/8" FPT

### Port Markings

"M" Supply Pressure  
"B" Output to Actuator  
"S" Signal Input

### Material

Body Zinc  
Diaphragms Neoprene

**Output Capability** 0 to supply pressure

**Weight** 1 lb. (.45 kg)

### Temperature Limits

Operating 40° to 120° F (4° to 49° C)  
Shipping -40° to 140° F (-40° to 60° C)

**KMC Controls, Inc.**

19476 Industrial Drive

New Paris, IN 46553

574.831.5250

[www.kmccontrols.com](http://www.kmccontrols.com)