

Description

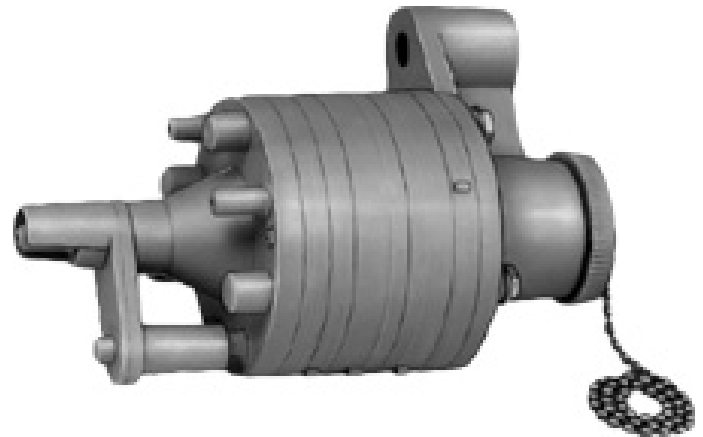
The KMC CMC-1001 non-metallic positive positioner, is designed to work with KMC pneumatic damper actuators. The CMC-1001s can be factory mounted or field installed on 3", 4", or 6" stroke actuators.

The CMC-1001's start-point is adjustable from 3 to 10 psi. The overall span is a direct function of the selected feedback spring. Springs are available in 5 psi and 10 psi spans and may be ordered separately.

CMC-1001 is designed to be used with actuators containing an 8 to 13 psi spring so that equal force can be obtained on both power and return strokes.

Features

- ◆ Factory mounted, or field installed on 3", 4", or 6" stroke actuators
- ◆ Adjustable start point
- ◆ Adjustable overall span

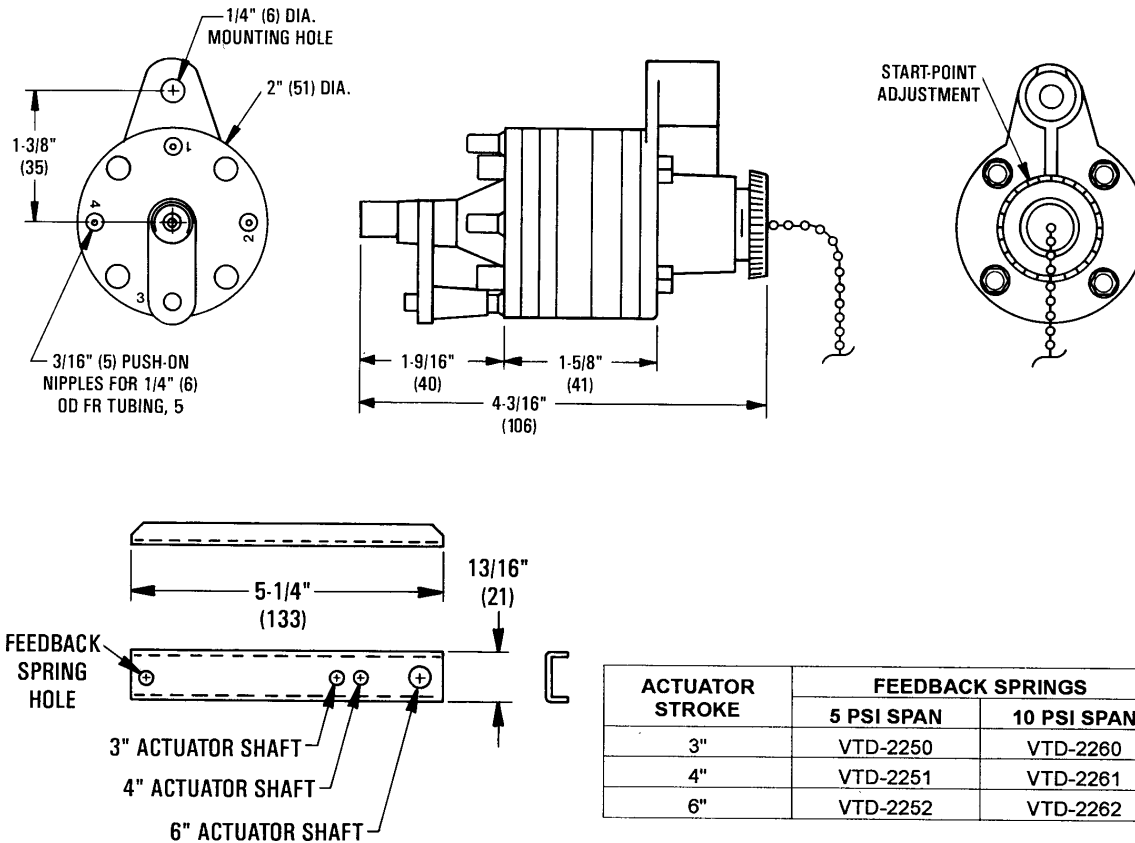


Accessories

VTD-1500	Feedback arm
VTD-2250	Spring; 3" stroke, 5 psi span
VTD-2251	Spring; 4" stroke, 5 psi span
VTD-2252	Spring; 6" stroke, 5 psi span
VTD-2260	Spring; 3" stroke, 10 psi span
VTD-2261	Spring; 4" stroke, 10 psi span
VTD-2262	Spring; 6" stroke, 10 psi span

Details

All dimensions in inches (mm).



Specifications

Supply Pressure 20 to 30 psig (138 to 207 kPa)

Air Consumption 14.4 scim @ 20 psig (3.93 mL/s @ 138 kPa)

Connections 3/16" (5 mm) nipples for 1/4" (6 mm) O.D. polyethylene tubing

Port Markings

Center Supply Pressure
 "1" Output to Actuator
 "2" Signal Input

Material

Body ABS, UL Flame Class 94 HB
 Diaphragms Neoprene

Output Capability 0 to supply pressure

Weight 4 oz. (113 grams)

Temperature Limits

Operating 40° to 120° F (4° to 49° C)
 Shipping -40° to 140° F (-40° to 60° C)

KMC Controls, Inc.

19476 Industrial Drive

New Paris, IN 46553

574.831.5250

www.kmccontrols.com