

## RIBXK420 SERIES

### CURRENT TRANSDUCER

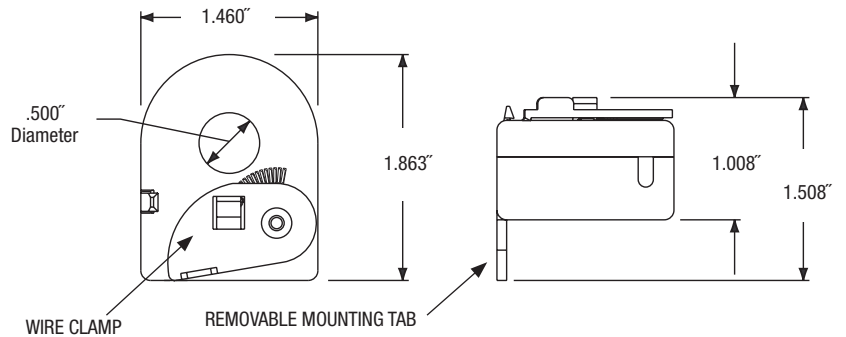
Enclosed 20, 50, and 100 Amp Current Transducers with Loop Powered 4-20 mA Output (Pre-Wired)



#### SPECIFICATIONS

- Operating Temperature: -30 to 140° F
- Wires: Red & Black, 16", 18 AWG, 600V Rated
- Sensor Type: Internal, with 4-20 mA Transmitter Output
- Sensor Range: 0-20 Amps, 0-50 Amps, or 0-100 Amps (See Selection Guide Below)
- Accuracy: 96.4% FS
- Linearity: 99% FS (25%-100% Span)
- Max Output Current: 30 mA
- Max Sense Voltage: 600 Vac
- Approvals: UL Listed, UL916, UL864, C-UL, CE
- Housing Rating: Plenum, NEMA 1

**Mounting/Installation:** Removable mounting tab provided. The wire clamp locks against the load wire, securing the unit in place.



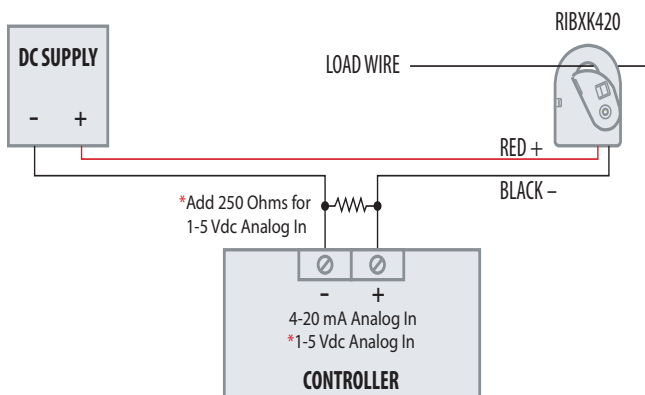
	MAXIMUM OUTPUT LOAD RESISTANCE	SUPPLY VOLTAGE	
		MINIMUM	MAXIMUM
	800 ohms	24 Vdc	35 Vdc
	500 ohms	18 Vdc	35 Vdc
	350 ohms	15 Vdc	35 Vdc
	250 ohms	13 Vdc	30 Vdc
	200 ohms	12 Vdc	30 Vdc
	100 ohms	10 Vdc	28 Vdc
	50 ohms	9 Vdc	28 Vdc

## RIBXK420 SERIES SELECTION GUIDE

MODEL #	SENSOR RANGE	OUTPUT
RIBXK420-20	0-20 Amps	Loop Powered 4-20 mA Transmitter (Pre-Wired)
RIBXK420-50	0-50 Amps	Loop Powered 4-20 mA Transmitter (Pre-Wired)
RIBXK420-100	0-100 Amps	Loop Powered 4-20 mA Transmitter (Pre-Wired)

## NOTES

### LOOP-POWERED RIBXK420 SERIES



#### ENCLOSED MINI CURRENT SENSORS

- RIBXK420-20
- RIBXK420-50
- RIBXK420-100