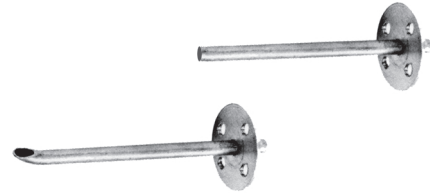
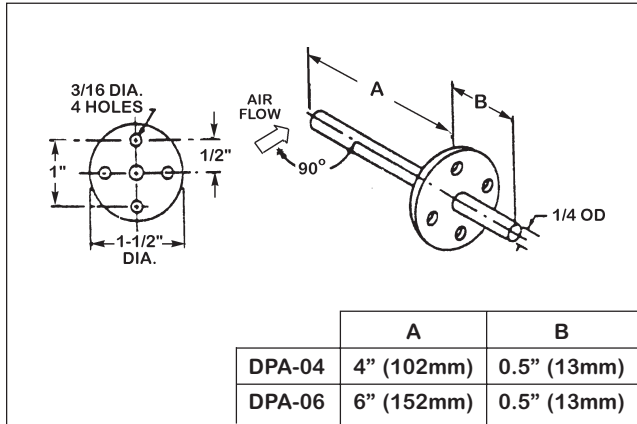


Used to sense air flow in HVAC ducts and provide air signal to static pressure or differential pressure controls.

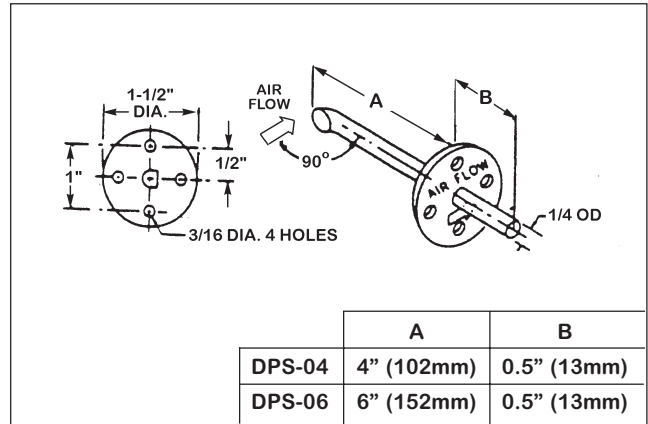
- Aspiration (static) probes open parallel to airstream.
- Impact (total pressure) probes open into airstream.
- Integral duct flange with mounting holes.
- All aluminum construction.



Static Pressure Probes (Aspiration)



Total Pressure Probes (Impact)

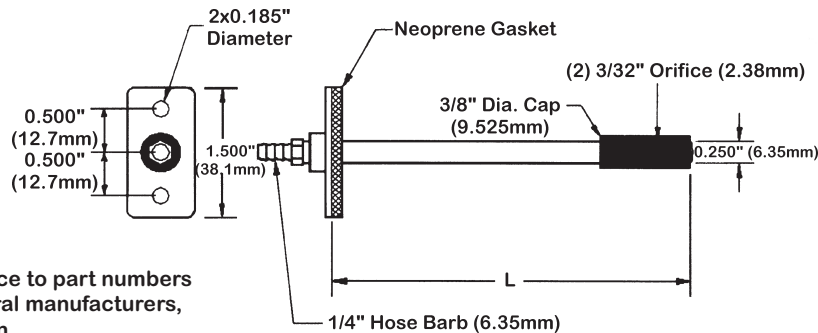


Model	Probe Type	Duct Insertion	Description	Tubing Connection
DPA-04	aspiration (static pressure)	4-inch	probe tip opens parallel to airstream	1/4" (6mm) OD for use with 3/8" (10mm) flexible tubing
DPA-06		6-inch		
DPS-04	impact (total pressure)	4-inch	probe tip opens directly into airstream	
DPS-06		6 inch		

A-520 Series STATIC PRESSURE PROBES

Used to sense air flow in HVAC ducts and provide an air signal to control transmitters or switches.

- Dual orifice design to eliminate air flow errors.
- 1/4" brass hose barb air connection.
- Fabricated from 6061T-6 aluminum alloy.
- Maximum sensed pressure: 10 psig.



For cross reference to part numbers of system/peripheral manufacturers, go to A-520 link on www.dynacononline.com.

Model No.	Probe Length	Connection
A-520-1-A-1	4 inches	1/4" hose barb
A-520-2-A-1	8 inches	