

Allow an electrical circuit to control a pneumatic air signal. Typically used to switch branch or main air signals from one source or pressure to another; to supply or exhaust pressure from pneumatic damper actuators or valves; or to initiate a change in control function such as in occupied-unoccupied, summer-winter, or outdoor changeover applications.

- Open frame or NEMA 1 junction box models with corrosion resistant Celecon plastic bodies.
- Continuous duty molded Class B coils with leadwires.
- Universal flow with air pressure applied at any port.
- Barb air connections for 1/4" OD (6mm) polyethylene tubing.
- Replacements for Barber-Colman, Honeywell, Robertshaw Johnson Controls, Landis & Staefa and Siebe equivalents.
- Coil or junction box can be rotated 360° for ease in wiring.

APPROVALS:

EPY Open Frame Models: U.L. recognized; CSA certified.

EPJ Junction Box Models: U.L. listed; CSA certified.

MEDIA: Air or inert gas.

AVAILABLE VOLTAGES/Hz: 24/60; 120/60 (110/50); 208/60; 240/60 (220/50); 277/60; 480/60 vac; 24 vdc.

POWER CONSUMPTION:

VAC Models: 17.3 va inrush; 9.2 va holding; 5.7 watts.

VDC Models: 9.7 watts.

FLOW CAPACITY: 0.06 Cv; 562 scim (153 mL/s) @ 15 psig supply and 1 psig pressure drop.



EPY



EPJ

MAXIMUM OPERATING PRESSURE DIFFERENTIAL:

VAC Models: 30 psig (207 kPa).

VDC Models: 15 psig (103 kPa).

FORM OF FLOW: Universal; pressure at any port.

PORT MARKINGS: Port 1 is normally closed; port 2 is normally open; port 3 is common.

ELECTRICAL CONNECTIONS: 18" (45.7cm) leadwires, all models; NEMA 1 junction box supplied on EPJ models.

AIR CONNECTIONS: Barbs for 1/4"OD (6mm) poly tubing.

MOUNTING: Integral mounting tabs in body & on J-box.

OPERATING AMBIENT: 40°F to 130°F (4°C to 54°C).

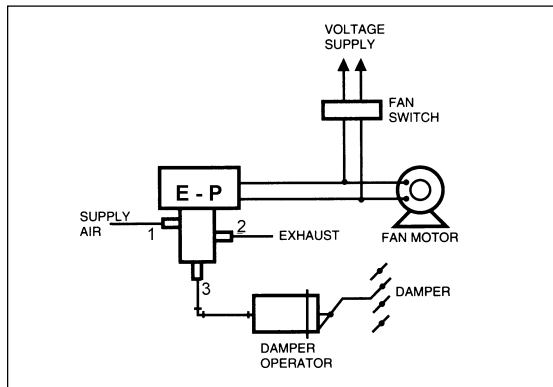
MATERIALS: Celcon (UL Flame Class 94HB), Buna N, copper, stainless steel.

NOMINAL DIMENSIONS:

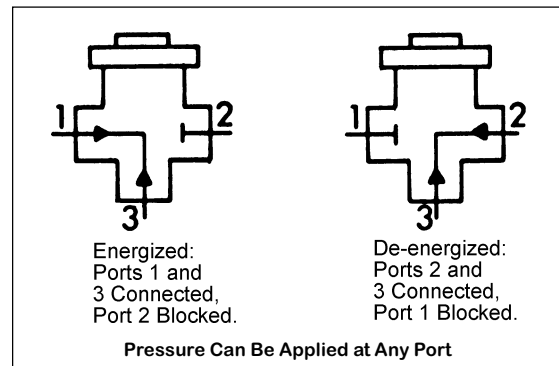
EPY Models: 3.3"H x 1.75"W x 1.25"D (84 x 45 x 32mm).

EPJ Models: 3.75"H x 3.8"W x 1.4"D (95 x 97 x 36mm).

TYPICAL APPLICATION



FLOW DIAGRAM



Model	Type	Voltage	Cv	Capacity @ 15 psig & 1 psig Pressure Drop	Maximum Operating Pressure Differential	Air Connections
EPY-24	open frame for panel mounting	24 vac	0.06	562 scim (153 mL/s)	30 psig (207 kPa)	barbs for 1/4" OD (6mm) polyethylene tubing
EPY-120		120 vac				
EPY-24-D		24 vdc			15 psig (103 kPa)	
EPJ-24	with NEMA 1 junction box	24 vac	0.06	562 scim (153 mL/s)	30 psig (207 kPa)	barbs for 1/4" OD (6mm) polyethylene tubing
EPJ-120		120 vac				
EPJ-208		208 vac				
EPJ-240		240 vac				
EPJ-277		277 vac				
EPJ-480		480 vac				
EPJ-24-D		24 vdc			15 psig (103 kPa)	