

Description

KMC TTC-3001 is designed to measure room temperature and transmit a proportional pneumatic signal to a receiver gage and/or a receiver-controller. It will transmit a 3 to 15 psig signal over a 50° to 100°F (10° to 38° C) span. The unit is factory calibrated.

A highly sensitive bimetal element with feedback is utilized for accuracy and stability. An external restrictor tee (HFO-0010) in the supply line is required.

The TTC-3001 is designed to mount directly to a flat surface or in a 2" x 4" handy box. A variety of covers, backplates and scale plates are available to meet most installation requirements.



Shown with optional cover

Features

- ◆ Fully proportional 3 to 15 psi (21 to 103 kPa) signal over 50° to 100° F span.
- ◆ Sensitive bimetal element provides accuracy and stability.
- ◆ Mounts on a flat surface or in a 2" x 4" handy box.

Accessories

HFO-0010	14.4 scim restrictor tee
HFO-0028	Tubing kit
HMO-5023	Drywall mounting kit
HMO-5024	2" x 4" almond backplate w/ aluminum trim
HMO-5026	2" x 4" white backplate w/ aluminum trim
HMO-5030	2" x 4" almond backplate w/ matching trim
HMO-5031	2" x 4" white backplate w/ matching trim

SCALE PLATES

HPO-0047	°F Horizontal scale plate
HPO-0048	°F Vertical scale plate
HPO-0049	°C Horizontal scale plate
HPO-0050	°C Vertical scale plate

ABS COVERS (UL Flame Class 94HB)

HPO-1501	Blank; almond color
HPO-1502	Blank; white color
HPO-1511	Window; almond color
HPO-1512	Window; white color

METAL COVERS

HPO-1503	Blank; brushed aluminum finish
HPO-1504	Blank; painted white
HPO-1505	Blank; brushed brass finish
HPO-1506	Blank; painted almond
HPO-1513	Window; brushed aluminum finish
HPO-1514	Window; painted white
HPO-1515	Window; brushed brass finish
HPO-1516	Window; painted almond

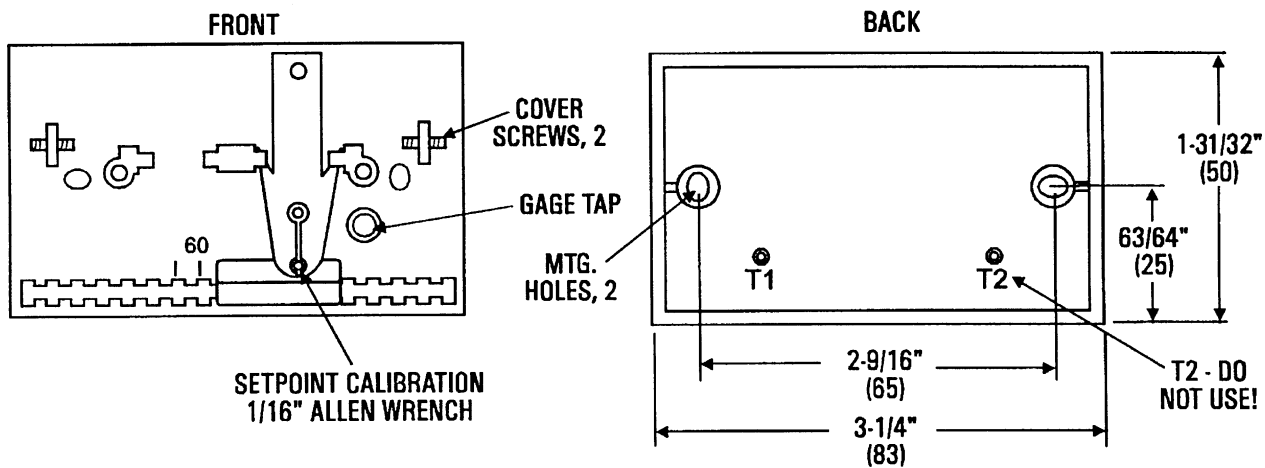
UNIVERSAL UPGRADE KITS

HMO-5500	Almond, for competitive brands
HMO-5501	White, for competitive brands.

Details

All dimensions in inches (mm).

SCALE PLATES AND COVERS SOLD SEPARATELY



Specifications

Action	Direct acting, proportional
Temperature Range	-50° to 100° F (10° to 38° C)
Output Pressure	3 to 15 psig (21 to 103 kPa)
Supply Pressure	20 psig (138 kPa) supplied through a 14.4 scim (4 mL/s) restrictor (HFO-0011) ordered separately 30 psig (207 kPa) max.
Material	Black ABS, UL Flame Class 94 HB
Weight	3 oz (85 grams)
Temperature Limits	
Operating	40° to 120° F (4° to 49° C)
Shipping	-40° to 140° F (-40° to 60° C)

KMC Controls, Inc.
19476 Industrial Drive
New Paris, IN 46553
574.831.5250
www.kmcccontrols.com