

Description

The KMC TTC-1507 is designed to sense outside air temperatures and transmit a fixed span 3 to 15 psig signal to controlling and indicating devices.

The TTC-1507 may be mounted directly in an airstream, or the sensing bulb may be fed through an outside wall. The remote bulb uses a stainless steel mechanism and copper element to ensure accuracy and dependability over a -40° to 160° F (-40° to 71° C) range.

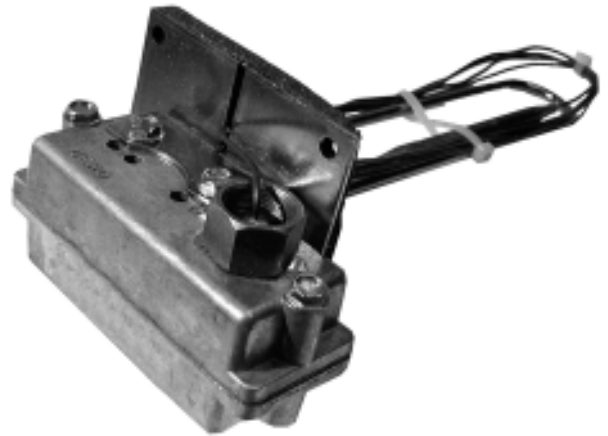
The TTC-1507 is a one-pipe transmitter and requires a restrictor tee (HFO-0022 or HFO-0023) and a constant air source for proper operation.

Features

- ◆ Fully proportional 3 to 15 psi (21 to 103 kPa) signal
- ◆ Inserts directly into an airstream or can be serpentine across.
- ◆ Uses a stainless steel mechanism and copper element to ensure accuracy and dependability

Applications

Typical uses include transmitting signals to receiver controllers, gauges, relays and pressure switches.

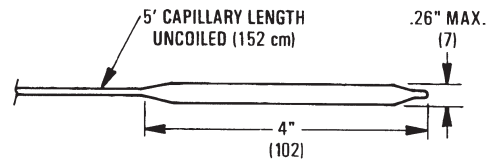
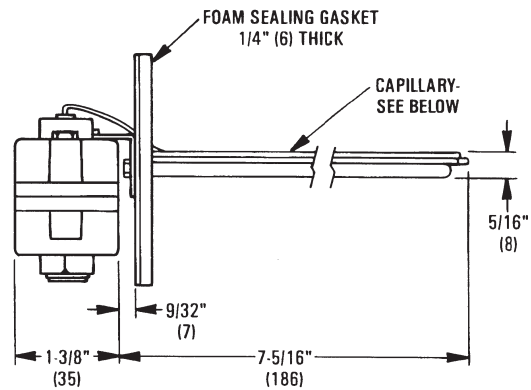
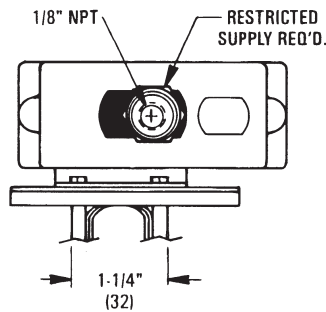
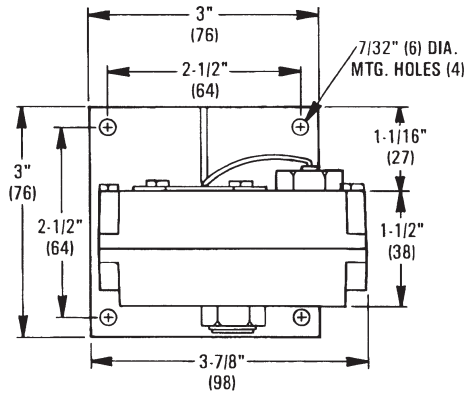


Accessories

HFO-0022	Restrictor T for polyethylene tubing
HFO-0023	Restrictor T for copper or polyethylene tubing

Details

All dimensions in inches (mm)



Specifications

Action	Direct acting, proportional
Sensor Range	-40° to 160° F (-40° to 71° C)
Output Pressure	3 to 15 psig (21 to 103 kPa)
Supply Pressure	20 psig (138 kPa) supplied through a restrictor HFO-0022 or HFO-0023, 30 psig (207 kPa) max.
Air Consumption	28.8 scim (7.87 mL/s)
Air Connections	1/8" FPT
Material	Zinc case, brass and stainless steel mechanism, copper element
Weight	1.5 lbs (.68 kg)
Temperature Limits	
Operating	-40° to 160° F (-40° to 71° C)
Shipping	-40° to 140° F (-40° to 60° C)

!CAUTION

Pneumatic devices **MUST** operate with **CLEAN, DRY**, control air. Any other medium will result in the device's eventual failure.

KMC Controls, Inc.
 19476 Industrial Drive
 New Paris, IN 46553
 574.831.5250
www.kmcccontrols.com