

Description

The KMC TTC-1000 Series are designed to sense air, or fluid temperatures and transmit a fixed span, 3 to 15 psig (21 to 103 kPa) signal to a controlling or indicating device. These include receiver controllers, receiver gauges, relays and pressure switches.

The TTC-1000 series have rigid stems and may be mounted directly into an airstream, or into a well for water and steam applications. These one-pipe transmitters require a restrictor "T" (HFO-0022 or HFO-0023) and a constant air source.

Models are available in several temperature ranges to meet most control system requirements. A copper element provides dependable, accurate signals.

Features

- ◆ Fully proportional, fixed span, 3 to 15 psi (21 to 103 kPa) signal
- ◆ Mounts directly into airstreams or wells for water and steam applications.
- ◆ Available in 4 different temperature ranges

Applications

The TTC-1000s are typically used with receiver controllers, receiver gauges, relays and pressure switches.

Models

TTC-1003	0° to 100° F (-18° to 38° C)
TTC-1004	50° to 150° F (10° to 66° C)
TTC-1005	50° to 100° F (10° to 38° C)
TTC-1006	40° to 240° F (4° to 116° C)

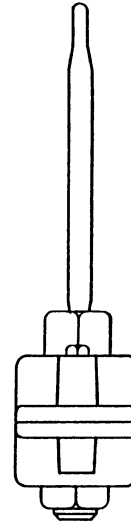
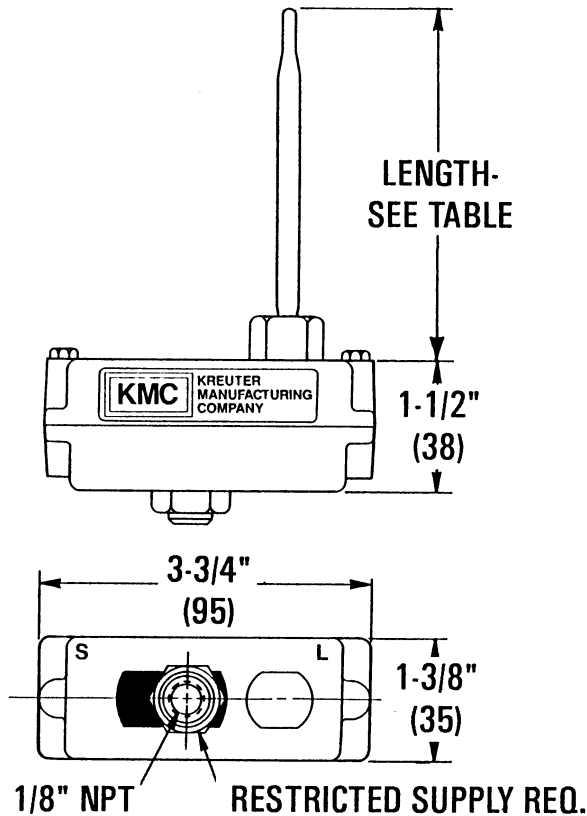


Accessories

HFO-0022	Restrictor T for polyethylene tubing
HFO-0023	Restrictor T for copper or polyethylene tubing
HMO-4503	Brass well; 3/8"-18 MPT x 11-1/16" (28 cm long)
HMO-4504	Duct Mounting Bracket
HMO-4515	Stainless steel well; 3/8"-18 MPT x 11-1/16" (28 cm long)

Details

All dimensions in inches (mm).



MODEL	LENGTH
TTC-1003	6" (152)
TTC-1004	6" (152)
TTC-1005	8" (203)
TTC-1006	4" (101)

Specifications

Action	Direct acting, proportional
Output Pressure	3 to 15 psig (21 to 103 kPa)
Supply Pressure	20 psig (138 kPa) supplied through a 28.8 scim (7.87 mL/s) restrictor (HFO-0022 or 0023) ordered separately
	30 psig (207 kPa) max.
Air Consumption	28.8 scim (7.87 mL/s)
Air Connections	1/8" FPT
Material	Zinc case, brass and stainless steel mechanism, copper element
Weight	1.5 lbs (.68 kg)
Temperature Limits	
Operating	40° to 120° F (4° to 49° C)
Shipping	-40° to 140° F (-40° to 60° C)

!CAUTION

Pneumatic devices MUST operate with CLEAN, DRY, control air. Any other medium will result in the device's eventual failure.

KMC Controls, Inc.
 19476 Industrial Drive
 New Paris, IN 46553
 574.831.5250
www.kmcccontrols.com