

Description

The KMC TPC-1002 and 1003 are one-pipe pneumatic differential pressure transmitters. They transmit a fixed 3 to 15 psi (21 to 103 kPa) signal which is fully proportional to the monitored differential pressure.

All models require a restricted control air source. KMC recommends using an HFO-0010 restrictor "T" (ordered separately). Input medium to the sensing connection may be water, steam, air or oil. The TPCs phosphor-bronze bellows and stainless steel mechanism ensure accuracy even in rugged conditions.



Features

- ◆ Fully proportional 3 to 15 psi (21 to 103 kPa) signal
- ◆ Use water, steam, air or oil as an input medium
- ◆ Rugged construction ensures accuracy

Applications

The output signal can be used as an input for receiver controllers, or supplied to receiver gauges for visual monitoring of system conditions.

Models

TPC-1002	Differential Pressure; 0 to 50 psi (0 to 345 kPa)
TPC-1003	Differential Pressure; 0 to 100 psi (0 to 689 kPa)

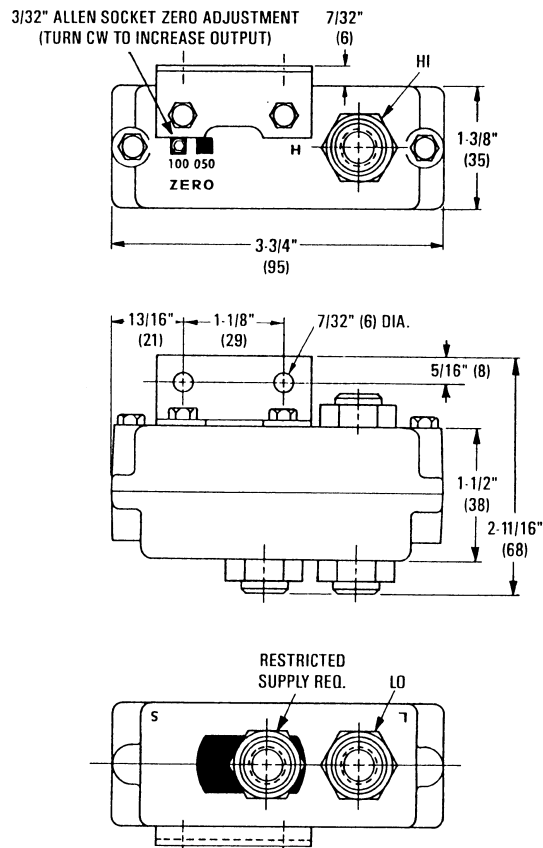
Accessories

HFO-0010	Restrictor "T"
----------	----------------

Details

All dimensions in inches (mm)

TPC-1002, 1003



ALL PIPING CONNECTIONS 1/8" NPT

Specifications

Action	Direct acting, proportional
Output Pressure	3 to 15 psig (21 to 103 kPa)
Supply Pressure	20 psig (138 kPa) supplied through a restrictor (HFO-0010 ordered separately) 30 psig (207 kPa) max.
Air Consumption	14.4 scim (3.93 mL/s)
Air Connections	1/8" FPT
Maximum ΔP^*	
TPC-1002	85 psi (586 kPa)
TPC-1003	150 psi (1034 kPa)

* Do not exceed 300 psi (2068 kPa) input pressure.

Material	Zinc case, brass and stainless steel mechanism
Weight	1.1 lbs. (0.5 kg)

Temperature Limits

Operating	40° to 120° F (4° to 49° C)
Shipping	-40° to 140° F (-40° to 60° C)

!CAUTION

Pneumatic devices MUST operate with CLEAN, DRY, control air.

KMC Controls, Inc.
19476 Industrial Drive
New Paris, IN 46553
574.831.5250
www.kmcccontrols.com