

# HDO Series

## SETPOINT DIAL OVERLAYS

### For CCC-1002 Receiver-Controller

Adhesive backed setpoint dial overlays for use with CCC-1002 receiver-controller to provide indication of 3 to 15 psi signal from transmitters in units of temperature, pressure or velocity.



- Select dial range that matches range of transmitter.

Model	Scale Range
HDO-2301	0 to 50 psi
HDO-2302	0 to 100 psi
HDO-2304	0 to 300 psi
HDO-2310	200 to 2,000 psi
HDO-2311	300 to 3,000 psi
HDO-2312	400 to 4,000 psi
HDO-2313	550 to 5,500 psi
HDO-2320	0 to 0.5" wc
HDO-2321	0 to 1.0" wc
HDO-2322	0 to 2.0" wc
HDO-2323	0 to 4.0" wc
HDO-2324	-0.5" to 0.5" wc

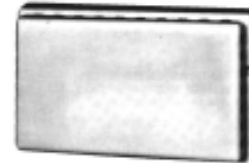
Model	Scale Range
HDO-2330	30°F to 150°F
HDO-2331	30°F to 230°F
HDO-2332	-50°F to 150°F
HDO-2333	0°F to 100°F
HDO-2334	50°F to 150°F
HDO-2335	50°F to 100°F
HDO-2336	40°F to 240°F
HDO-2337	-40°F to 160°F
HDO-3301	0 to 3.5 kPa
HDO-3302	0 to 7.0 kPa
HDO-3304	0 to 21.0 kPa
HDO-3310	1 to 10 m/s

Model	Scale Range
HDO-3311	1.5 to 15 m/s
HDO-3312	2 to 20 m/s
HDO-3313	2.5 to 28 m/s
HDO-3320	0 to 125 Pa
HDO-3321	0 to 250 Pa
HDO-3322	0 to 500 Pa
HDO-3323	0 to 1,000 Pa
HDO-3324	-125 to 125 Pa
HDO-3330	0°C to 65°C
HDO-3331	0°C to 110°C
HDO-3332	-45°C to 65°C

## TTC-3001

### ROOM TEMPERATURE TRANSMITTER

#### One-Pipe



Shown with Blank Cover

Measure room temperature and transmit a 3 to 15 psig proportional pneumatic signal to controlling and indicating devices such as receiver-controllers, receiver gauges, relays and pressure switches.

- Horizontal or vertical mounting.
- Choice of blank or window cover options.
- Optional scaleplate can be added for temperature indication.
- Requires a restrictor tee and constant air source.
- Sensitive bimetal with feedback for accuracy and stability.

**RANGE:** 50°F to 100°F (10°C to 38°C), non-adjustable.

**ACTION:** Direct acting, proportional.

**OUTPUT SIGNAL:** 3 to 15 psig (21 to 103 kPa).

**AIR SUPPLY PRESSURE:** 20 psig (138 kPa) supplied through a 14.4 scim (4mL/s) restrictor; 30 psig (207 kPa) maximum.

**AIR CONSUMPTION:** 14.4 scim (4 mL/s).

**AIR CONNECTION:** 5/32"OD (4mm) plastic tubing.

**MOUNTING:** Horizontal or vertical.

**COVER OPTIONS:** Blank or translucent window.

**TEMPERATURE INDICATION:** Optional scaleplate (if required).

**OPERATING AMBIENT:** 40°F to 120°F (4°C to 49°C).

**MATERIAL:** Black ABS, UL Flame Class 94HB.

**DIMENSIONS (With Cover):** 2.2" x 3.44" x 1.9"D  
(56mm x 87mm x 48mm).

**ACCESSORIES:** HFO-0010 Restrictor tee.

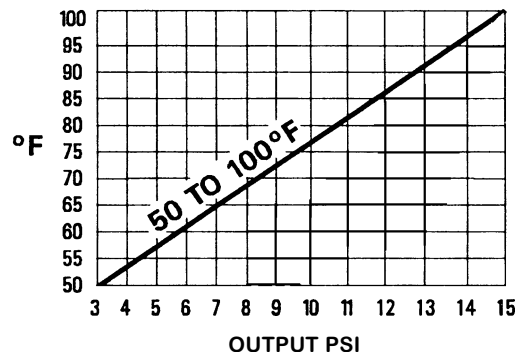
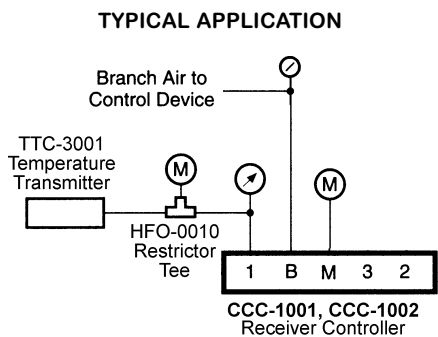
HFO-0028 Tygothane tubing kit.

HPO-15xx Blank or window cover (page 16-2).

HPO-00xx Optional scaleplate (page 16-2).

HMO-5023 Drywall mounting kit.

HMO-50xx Backplate for 2x4 box (page 16-2).



Model	Description	Range	Output Signal	Comments
TTC-3001	room temperature transmitter module	50°F to 100°F (10°C to 38°C)	3 to 15 psig (21 to 103 kPa)	order restrictor tee, cover, scaleplate (if required) and mounting hardware separately