

Description

The CTC-1611 and 1612 thermostats are designed for proportional control of pneumatic valve and damper actuators used in HVAC systems. A highly sensitive bimetal element with feedback is used for accuracy and stability. An external restrictor is required in the supply line.

Select model for direct or reverse acting proportional action. The throttling range is factory set and field adjustable.

Item is pictured *with* optional cover and scale plate assembled. See CTC-1600 Series Thermostat Accessories in the Condensed Catalogue for styles.



Features

- ◆ Sensitive bimetal element provides consistent, accurate feedback
- ◆ Direct or reverse acting proportional control of valve or damper actuators
- ◆ Field adjustable throttling range

Models

CTC-1611	Direct Acting
CTC-1612	Reverse Acting

!CAUTION

Pneumatic devices **MUST** operate with **CLEAN, DRY**, control air. Any other medium will result in the device's eventual failure.

Accessories

HFO-0010	14.4 scim restrictor "T"
HFO-0027	Setpoint stops
HFO-0028	Tubing kit; 3/32" ID
HMO-5023	Drywall mounting kit
HMO-5024	2" x 4" almond backplate w/ alum. trim
HMO-5026	2" x 4" white backplate w/ alum. trim
HMO-5030	2" x 4" almond backplate w/ matching trim

HMO-5031	2" x 4" white backplate w/ matching trim
HPO-0047-10	°F Horizontal scale plate
HPO-0048-10	°F Vertical scale plate
HPO-0049-11	°C Horizontal scale plate
HPO-0050-11	°C Vertical scale plate
HPO-1320	Label strip

ABS COVERS

HPO-1501	Blank; almond color
HPO-1502	Blank; white color
HPO-1511	Window; almond color
HPO-1512	Window; white color

METAL COVERS

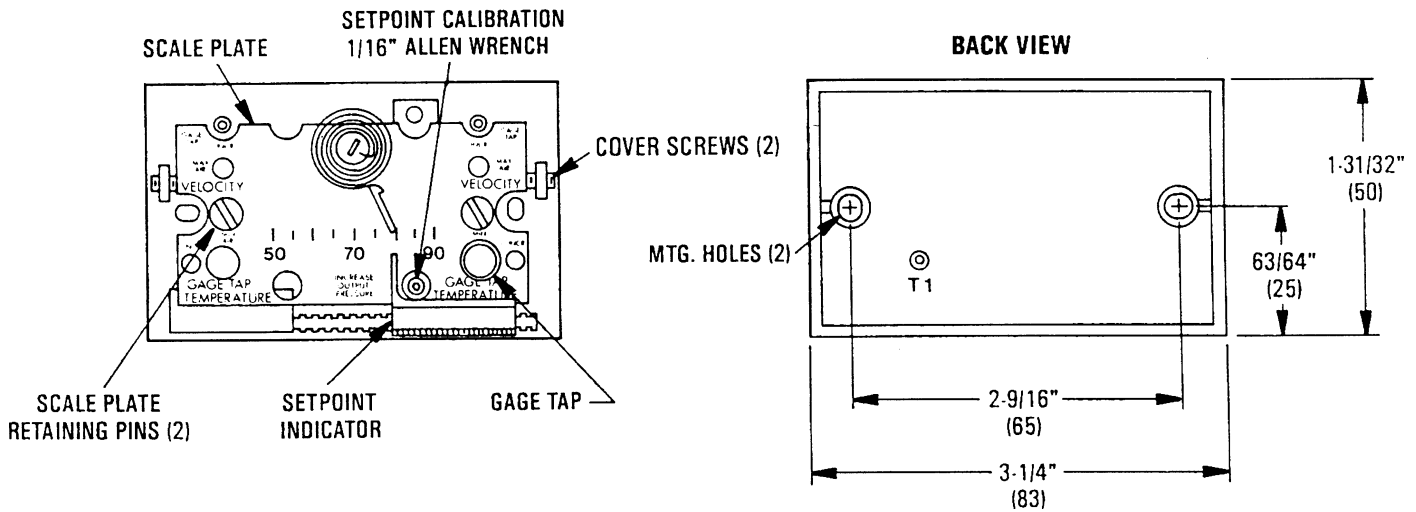
HPO-1503	Blank; brushed aluminum finish
HPO-1504	Blank; painted white
HPO-1505	Blank; brushed brass finish
HPO-1506	Blank; painted almond
HPO-1513	Window; brushed aluminum finish
HPO-1514	Window; painted white
HPO-1515	Window; brushed brass finish
HPO-1516	Window; painted almond

UNIVERSAL UPGRADE KITS

HMO-5500	Almond, for competitive brands
HMO-5501	White, for competitive brands

Details

All dimensions in inches (mm).



Specifications

Setpoint Range	55° to 85° F (13° to 29°)
Throttling Range	3° to 12° F (1.7° to 6.7° C) factory set @ 3° F, field adjustable up to 12° F
Calibration	9 psig (62 kPa) branch pressure
Air Supply Pressure	20 psig (138 kPa); 30 psig (207 kPa) maximum supplied through 14.4 scim (3.9 mL/s) restrictor sold separately
Material	Black ABS
Weight	3 oz. (85 grams)
Temperature Limits	
Operating	40° to 120° F (4° to 49° C)
Shipping	-40° to 140° F (-40° to 60° C)

KMC Controls, Inc.
19476 Industrial Drive
New Paris, IN 46553
574.831.5250
www.kmccontrols.com