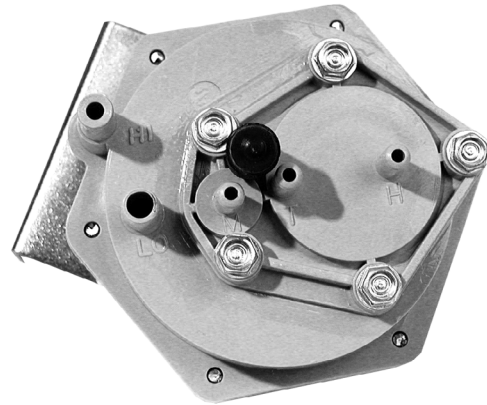


Description

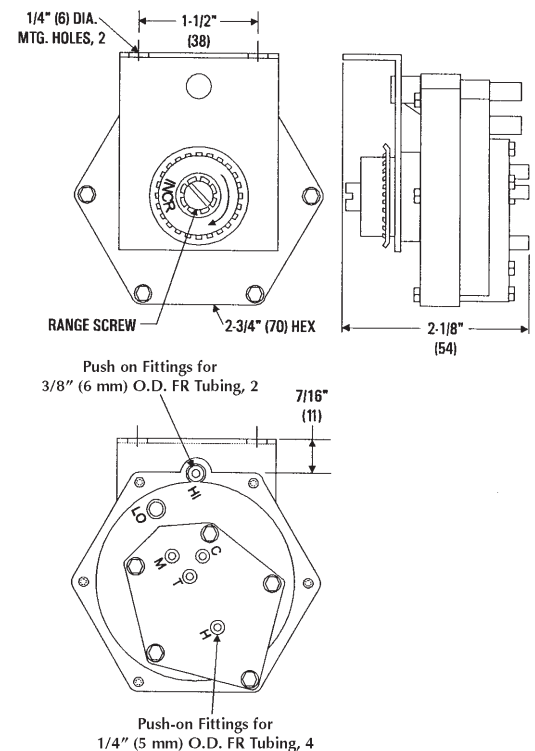
The CSC-1001 Constant Volume Controller is designed for use on constant volume boxes in HVAC systems. The CSC-1001 has two low-volume output connections that allow two different modes of operation. In one mode, the CSC-1001 is a constant volume controller without a thermostat override. In the other mode, the CSC-1001 is a high-limit controller that assumes control of a VAV terminal if a thermostat calls for too much flow.



Specifications

Setpoint Range	0 to 1" wc (249 kPa)
Proportional Band	0.04" wc (10 Pa)
Supply Pressure	20 psig (138 kPa) operating 30 psig (207 kPa) maximum
Air Consumption	14.4 scim (3.93 mL/s) @ 20 psig
Action	N.O. dampers only; requires D.A. Thermostat for heating, R.A. for cooling
Ports	Differential Pressure Flow Sensor (HI and LO), Main Air (M), Thermostat (T), Actuator (H or C, dependent on application)
Material	ABS UL Flame Class 94 HB
Weight	4 oz. (113 grams)
Temperature Limits	
Operating	40° to 120° F (4° to 49° C)
Shipping	-40° to 140° F (-40° to 60° C)

Details



CAUTION

Pneumatic devices must be supplied with clean, dry control air. Any other medium (e.g., oil or moisture contamination) will cause the device to fail.

Accessories

HFO-0006	In-line control-air filter
HFO-0013	Replacement C/H port rubber cap
ICI-1005	Pressure gauge
SSS-1002	1 sensing point; 3-5/32" length
SSS-1003	2 sensing points; 5-13/32" length
SSS-1004	3 sensing points; 7-21/32" length
SSS-1005	4 sensing points; 9-29/32" length

KMC Controls, Inc.

19476 Industrial Drive, New Paris, IN 46553
574.831.5250

www.kmcccontrols.com; info@kmcccontrols.com