

Remove solids and liquids and/or oil aerosols from compressed air in pneumatic systems.

- ASF series 5 micron pre-filters remove most solid and liquid particles. Typically installed upstream of oil removal filters.
- AWF series coalescing filters remove particles down to 0.01 micron with maximum remaining oil content of 0.01 ppm at 70°F (21°C) with an inlet concentration of 17 ppm (*Air Quality Class 2 Hydrocarbon & Class 1 Particulate Removal in accordance with ISO 8753-1*).
- Automatic drain models operate unattended whenever separated liquid accumulates in the filter bowl.
- Manual drain models utilize 1/4 turn drain cock.
- All models include metal bowl & prismatic liquid level indicator.



### FILTER ELEMENT:

ASF Series: 5 micron, sintered polypropylene.  
 AWF Series: Coalescing, synthetic fiber & polyurethane foam.  
 FLUID: Compressed air only.  
 MAXIMUM PRESSURE: 250 psig (1724 kPa).  
 OPERATING AMBIENT: 0°F to 150°F (-20°C to 65°C)  
 with air sufficiently dry to avoid ice formation below 35°F (2°C).

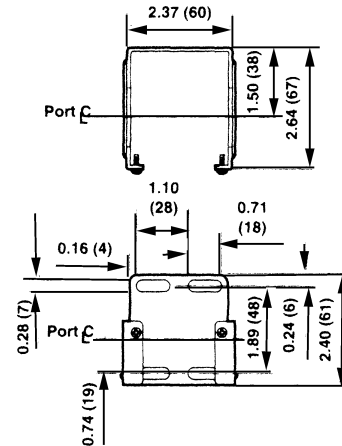
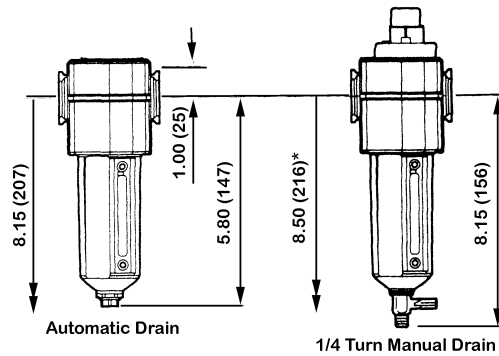
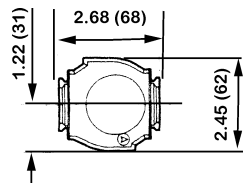
**MOUNTING:** Vertically (drain at bottom) in-line. Wall mounting brackets available.

**DRAIN CONNECTION:** (Automatic Drain Models): 1/8" MPT.  
**MATERIALS:** Aluminum body & bowl; neoprene/nitrile elastomers.

### ACCESSORIES:

AX-09 wall mounting bracket (ASF, AWF series).  
 AZ-5 replacement 5 micron filter element (ASF series).  
 AZ-6 replacement coalescing filter element (AWF series).

### DIMENSIONS IN INCHES (MM)



AX-09 WALL BRACKET

ASF-210, 310 GENERAL PURPOSE FILTERS  
 AWF-210, 310 OIL REMOVAL (COALESCING) FILTERS

\* Minimum clearance required to remove bowl

### GENERAL PURPOSE PRE-FILTERS (5 Micron Filter Element)

Model	Main Port Connections	Drain Operation	Rated Flow <sup>a</sup>
ASF-210A	1/4" FPT	automatic	50 scfm (1415 l/s)
ASF-210M		manual	
ASF-310A	3/8" FPT	automatic	
ASF-310M		manual	

### OIL REMOVAL FILTERS (Coalescing Filter Element)

Model	Main Port Connections	Drain Operation	Rated Flow <sup>a</sup>
AWF-210A	1/4" FPT	automatic	26 scfm <sup>b</sup> (736 l/s)
AWF-210M		manual	
AWF-310A	3/8" FPT	automatic	
AWF-310M		manual	

<sup>a</sup> Approximate flow at 100 psig (689 kPa) inlet pressure and 3 psig (21 kPa) pressure drop.

<sup>b</sup> Flow rate with all oil, water, and other aerosols removed. Maximum flow to maintain consistent oil removal performance with saturated filter element is 21.2 scfm (600 l/s).