

Description

The KMC SSE-1000 Duct Sensors are designed for use with VAV terminal units in HVAC systems. They are used in conjunction with the CEP series of controller-actuators to maintain the desired airflow to an occupied space. The CEP model must be ordered separately. (Refer to the CEP-4000 data sheet for related model numbers).

Two sensor lengths are available to accommodate various box inlet sizes. Sensors are inserted into the inlet collar of the box; the foam backing on the sensor head protects against conditioned air leakage.

SSE-1011, 1012, 2011, and 2012 are “conformal” coated for air streams that may be contaminated with corrosive materials. The SSE-2000 series incorporates two additional terminals (“X” and “Y”) which allow duct temperature sensing for items such as the REE-1005 heating-cooling change over relay. In addition, the airflow portion of the signal is fully compensated for changes in temperature for accurate control of delivered air.

Features

- ◆ Available with or without conformal coating
- ◆ Available in two different lengths to accommodate inlet box sizes
- ◆ 2000 Series models include additional terminals for temperature sensing
- ◆ Foam backing prevents air leakage

Application

The KMC SSE-1000/2000 Series Duct Sensors are intended for use in conjunction with KMC CEP series controller-actuators in HVAC systems. The sensors provide airflow sensing to the controller-actuators for controlling VAV terminal units to maintain airflow in an occupied space.



Models

The following models are available

Standard

SSE-1001/2001 3-7/8" long (98 mm)

SSE-1002/2002 7-7/8" long (200 mm)

Conformal Coated

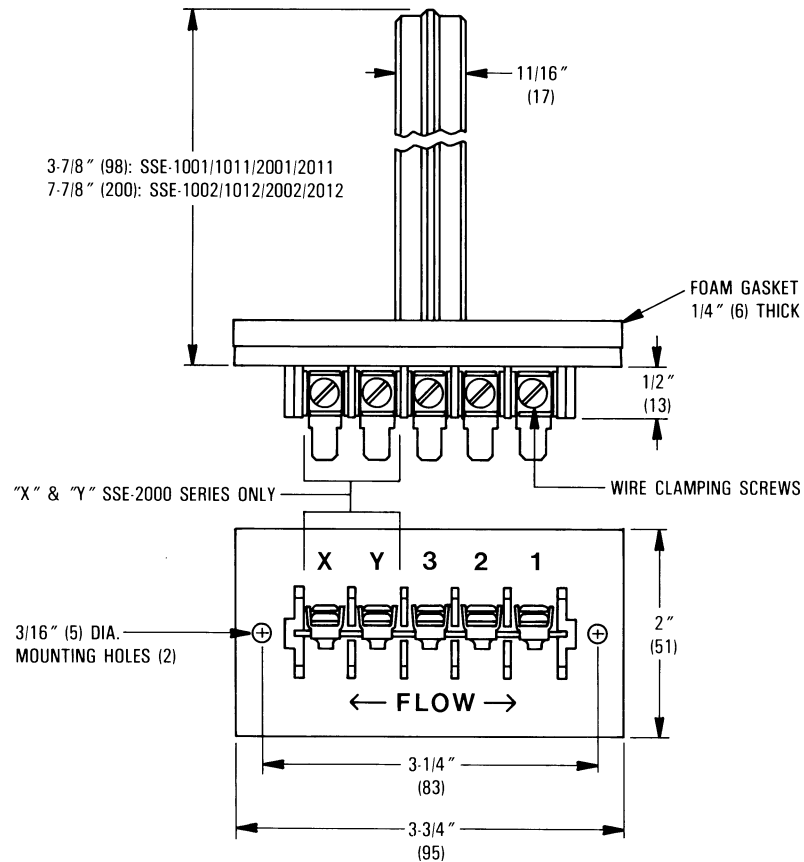
SSE-1011/2011 3-7/8" long (98 mm)

SSE-1012/2012 7-7/8" long (200 mm)

NOTE: CEP controller-actuator must be ordered separately, but can be shipped together. Specify full CEP model number.

Details

All dimension are in inches (mm)



Specifications

Connections	Plated screw terminals
Material	ABS (UL 94-5V)
Weight	2.5 oz. (71 grams)
Temperature Limits	
Operating	40° to 120°F (4° to 49°C)
Shipping	-40° to 140°F (-40° to 60°C)

KMC Controls, Inc.
19476 Industrial Drive
New Paris, IN 46553
574.831.5250
www.kmccontrols.com