

Description

The KMC CTE-1105/ 1108 electronic thermostats are designed for use with specific CEP/CSP-4000 series controller-actuators to control damper actuators and/or valves in HVAC systems. The ability to adjust minimum and maximum limits is at the thermostat rather than at the controller. They are dual setpoint thermostats for day/night reset applications.

An additional output is provided for control of the optional REE series relay modules. This output is not restricted by the CTE's minimum and maximum control points.

Cover construction allows the setpoint indicator and thermometer to be either visible or concealed. Optional accessories include an insert for concealing the window, and stops to lock/restrict the setpoint adjustment(s).

Features

- ◆ Dual setpoint for day/night reset applications
- ◆ Adjustable min/max temperature limits
- ◆ Additional output available for control of KMC REE series relay modules
- ◆ Visible or hidden setpoint indicator
- ◆ Day/night flow adjustments
- ◆ Custom scale plates are available upon request.

Models

The following models are available:

- CTE-1105-10 ° F, horizontal, night/day
- CTE-1105-11 ° C, horizontal, night/day
- CTE-1108-10 ° F, horizontal, day/night



Accessories

The following accessories are available:

- HFO-0026 Blanking insert
- HFO-0027 Setpoint stops
- HMO-5001 Toggle bolt assembly
- HMO-5002 Insulating backplate 1-1/8" deep
- HMO-5007 Insulating backplate 1-11/16" deep
- HSO-5001 Calibration test leads

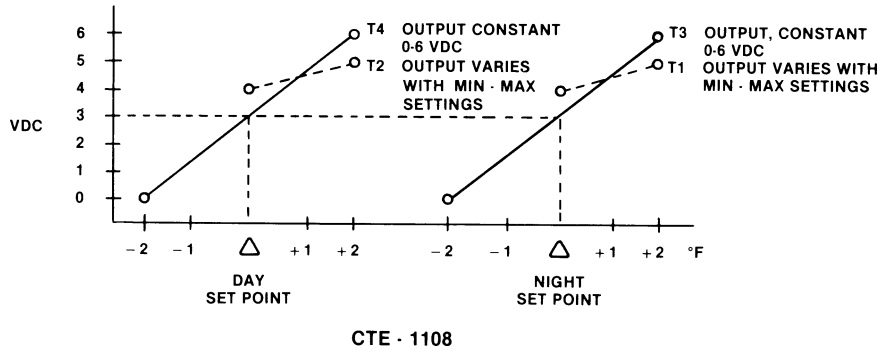
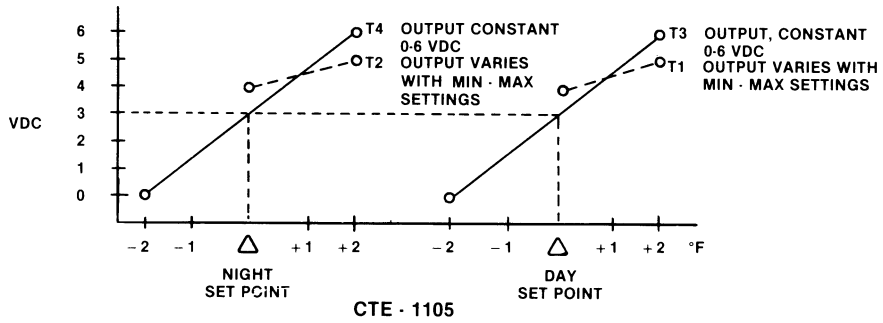
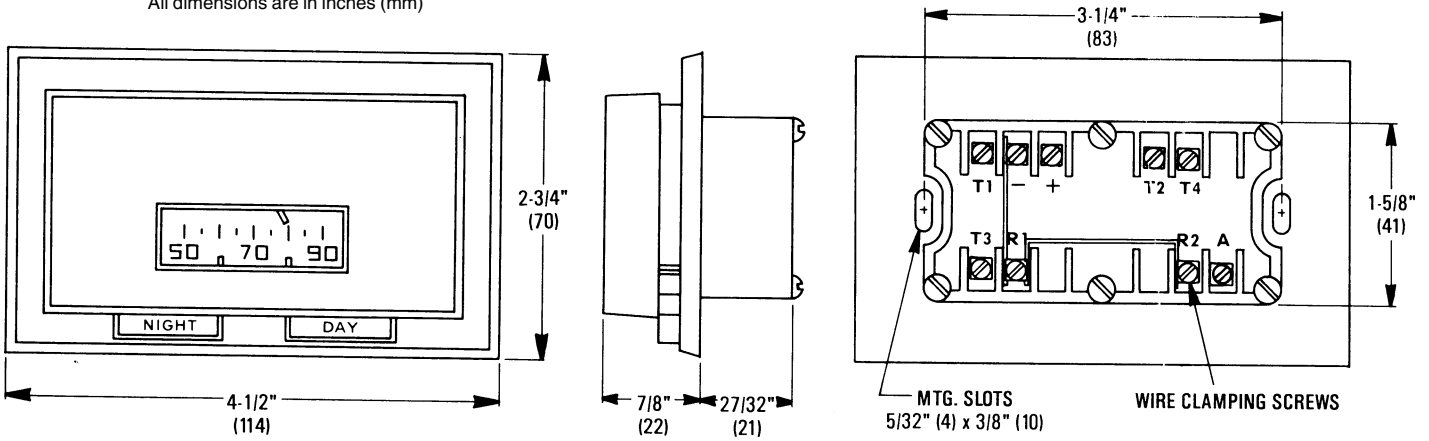
Application

KMC CTE-1105/1108 Room Thermostats are intended for use with the following KMC controller/actuators:

- CEE-4000 Series
- CEP-4000 Series
- CSE-4000 Series
- CSP-4000 Series

Details

All dimensions are in inches (mm)



Specifications

Supply Voltage	9.1 VDC, ± 5%
Output Range	0 to 6 VDC
Range	55° to 85° F (13° to 29° C)
Proportional Band	2° F (1.1° C)
Thermostat Action	
CTE-1105	Direct Acting
CTE-1108	Reverse Acting
Cover Type	Furnished w/window
Material	Light Almond ABS
Weight	3.5 oz. (99 grams)
Temperature Limits	
Operating	40° to 120° F (4° to 49° C)
Shipping	-40° to 140° F (-40° to 60° C)

KMC Controls, Inc.
 19476 Industrial Drive
 New Paris, IN 46553
 574.831.5250
www.kmcccontrols.com