

## Description

The KMC CTE-1101 electronic thermostat is designed for use with specific CEP/CSP-4000 series controller-actuators to control damper actuators and/or valves in HVAC systems. The ability to adjust minimum and maximum limits is at the thermostat rather than at the controller. This is a single setpoint thermostat for cooling applications. Several mounting methods are available.

An additional output is provided for control of the optional REE series relay modules which is not restricted by the minimum and maximum control points.

The CTE-1101 may also be used without the CEP/CSP controller-actuator. An optional XEE-4002 power supply module can power the CTE-1101 thermostat. The CTE-1101 may then control a damper or valve which utilizes MEP series actuators, or may control other damper or valve actuators utilizing the optional REE-4000 series relays.

Cover construction allows the setpoint indicator and thermometer to be either visible or concealed. Optional accessories include an insert for concealing the window, and stops to lock/restrict the setpoint adjustment(s).

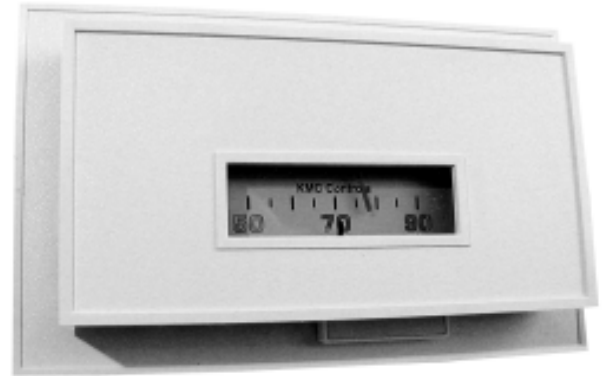
## Features

- ◆ Adjustable min/max temperature limits
- ◆ Additional output available for control of KMC REE series relay modules
- ◆ Visible or hidden setpoint indicator
- ◆ Custom scale plates are available upon request.

## Models

The following models are available:

- CTE-1101-10 ° F, horizontal
- CTE-1101-11 ° C, horizontal
- CTE-1101-103 ° F, vertical



## Accessories

The following accessories are available:

HFO-0026	Blanking insert
HFO-0027	Setpoint stops
HMO-5001	Toggle bolt assembly
HMO-5002	Insulating backplate 1-1/8" deep
HMO-5007	Insulating backplate 1-11/16" deep
HSO-5001:	Calibration test leads
XEE-4002	Power Supply

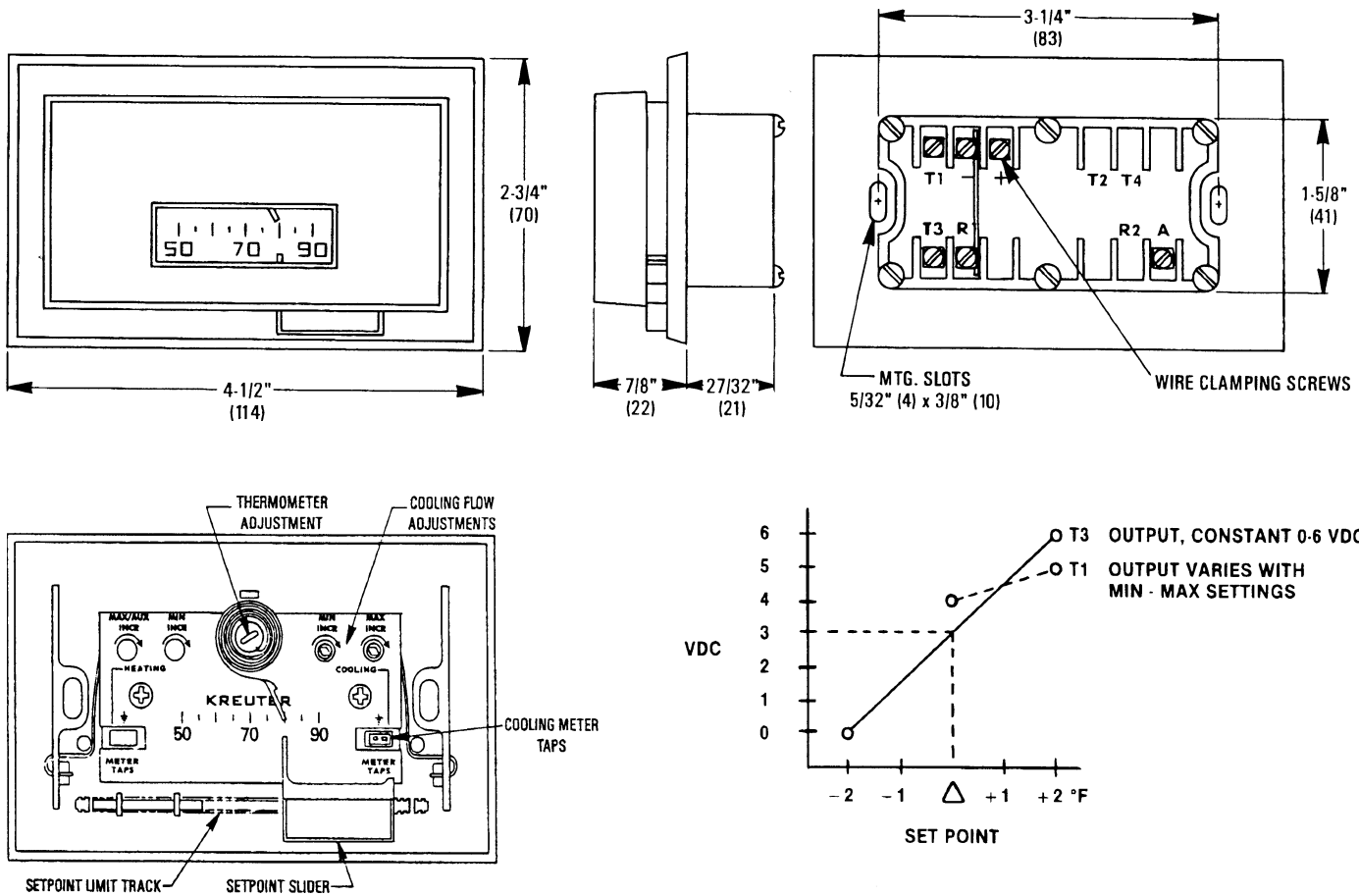
## Application

KMC CTE-1101 Room Thermostats are intended for use with the following KMC controller/actuators:

- CEE-4000 Series
- CEP-4000 Series
- CSE-4000 Series
- CSP-4000 Series

## Details

All dimensions are in inches (mm)



## Specifications

<b>Supply Voltage</b>	9.1 VDC $\pm$ 5%
<b>Output Range</b>	0 to 6 VDC
<b>Range</b>	55° to 85° F (13° to 29° C)
<b>Proportional Band</b>	2° F (1.1° C)
<b>Thermostat Action</b>	Direct Acting
<b>Cover Type</b>	Furnished w/window
<b>Material</b>	Light Almond ABS UL Flame Class 94 HB
<b>Weight</b>	3.5 oz. (99 grams)
<b>Temperature Limits</b>	
Operating	40° to 120° F (4° to 49° C)
Shipping	-40° to 140° F (-40° to 60° C)

**KMC Controls, Inc.**  
 19476 Industrial Drive  
 New Paris, IN 46553  
 574.831.5250  
[www.kmccontrols.com](http://www.kmccontrols.com)