

Description

The CTE-1001/1002 electronic thermostats are designed for use with specific CEP/CSP-4000 series controller-actuators for controlling damper actuators and/or valves in HVAC systems. The ability to adjust minimum and maximum limits is at the thermostat rather than at the controller. They are single setpoint units for cooling and heating applications. Several mounting methods are available.

An additional output is provided for control of the optional REE series relay modules. This output is not restricted by the minimum and maximum control points.

Cover construction allows for the setpoint indicator and thermometer to be either visible or concealed. Optional accessories include an insert for concealing the window, and stops to lock/restrict the setpoint adjustment(s).

Features

- ◆ Adjustable min/max temperature limits
- ◆ Additional output available for control of KMC REE series relay modules
- ◆ Visible or hidden setpoint indicator
- ◆ Custom scale plates are available upon request.

Models

The following models are available:

CTE-1001-10	°F, horizontal, D.A., cooling
CTE-1001-11	°C, horizontal, D.A., cooling
CTE-1001-103	°F, vertical, D.A., cooling
CTE-1001-113	°C, vertical, D.A., cooling
CTE-1002-10	°F, horizontal, R.A., heating
CTE-1002-11	°C, horizontal, R.A., heating
CTE-1002-103	°F, vertical, R.A., heating



Accessories

The following accessories are available:

HFO-0026	Blanking insert
HFO-0027	Setpoint stops
HMO-5001	Toggle bolt assembly
HMO-5002	Insulating backplate 1-1/8" deep
HMO-5007	Insulating backplate 1-11/16" deep
HSO-5001	Calibration test leads

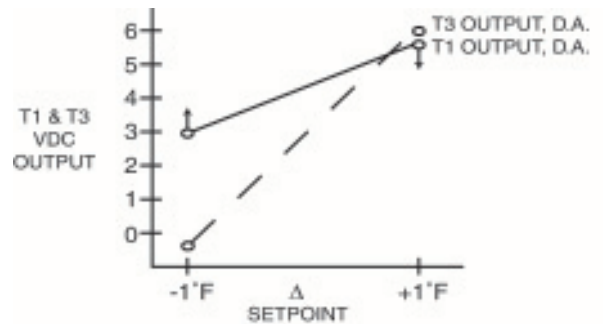
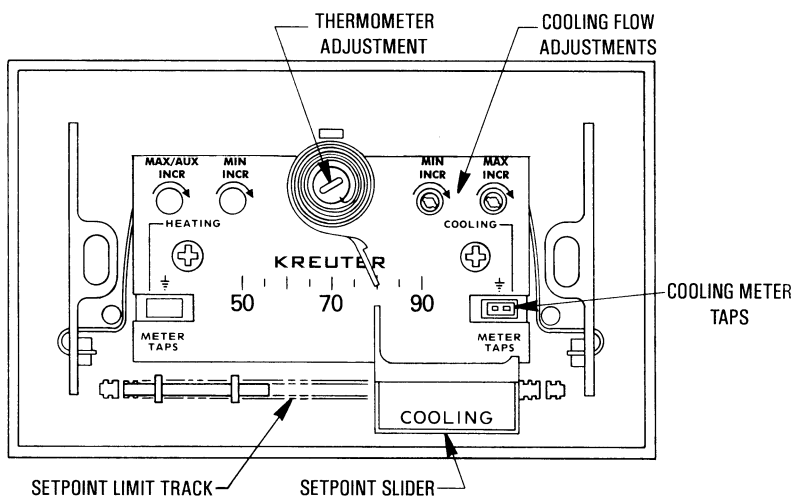
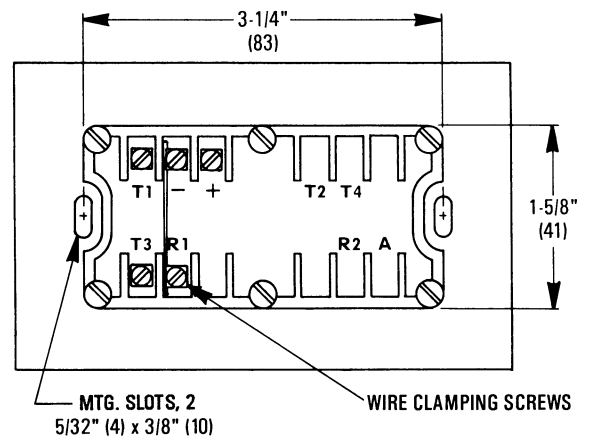
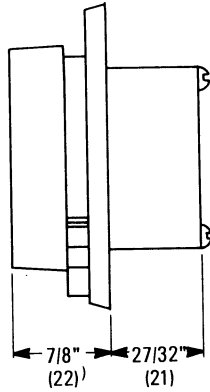
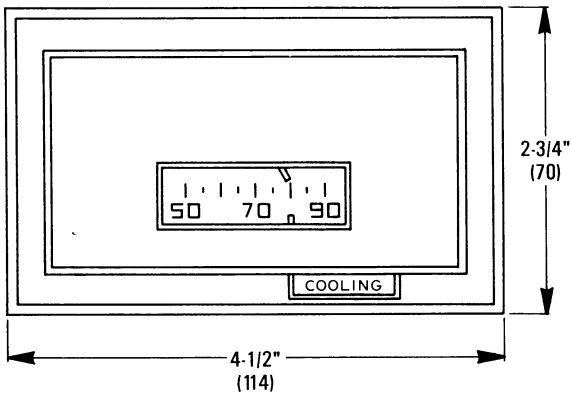
Application

KMC CTE-1001/1002 Room Thermostats are intended for use with the following KMC controller/actuators:

CEE-4000 Series
CEP-4000 Series
CSE-4000 Series
CSP-4000 Series

Details

All dimensions are in inches (mm).



CTE-1001 — SPACE TEMPERATURE — D.A. COOLING
CTE-1002 ← SPACE TEMPERATURE — R.A. HEATING

Specifications

Supply Voltage	9.1 VDC (5 mA) ±5%
Output Range	0 to 6 VDC
Range	55° to 85° F (13° to 29° C)
Proportional Band	2° F (1.1° C)
Thermostat Action	
CTE-1001	Direct Acting
CTE-1002	Reverse Acting
Cover Type	Furnished w/window
Material	Light Almond ABS, UL Flame Class 94HB
Weight	3.5 oz. (99 grams)
Temperature Limits	
Operating	40° to 120° F (4° to 49° C)
Shipping	-40° to 140° F (-40° to 60° C)

KMC Controls, Inc.
19476 Industrial Drive
New Paris, IN 46553
574.831.5250
www.kmccontrols.com