

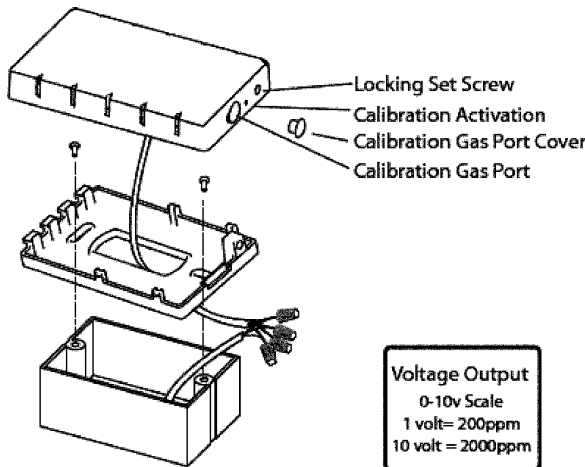
Monitor carbon dioxide concentrations and provide analog signal output to building automation systems for control of ventilation equipment and/or alarm functions.

- 24 vac/dc power.
- 0-10 vdc linear output signal.
- 0 to 2000 ppm CO₂ range.
- Compact, attractive enclosure with locking cover mounts on standard electrical junction box or directly on wall.
- Easy to use single touch calibration with LED verification.
- Supplied factory calibrated.



INPUT POWER: 18 to 28 vac or 18 to 30 vdc.
POWER CONSUMPTION: Less than 1 watt at rated voltage.
OPERATING PRINCIPLE: Non-dispersive infrared (NDIR).
MEASUREMENT RANGE: 0 to 2000 ppm CO₂.
ACCURACY: Greater of +/-5% of reading or +/- 75 ppm.
REPEATABILITY: +/-20 ppm.
RECOMMENDED CALIBRATION INTERVAL: Every 5 years.
RESPONSE TIME: Less than 1 minute.
ANALOG OUTPUT: 0-10 vdc, linear.
WARM UP TIME: Less than 1 minute.
CALIBRATION ADJUSTMENT: Single port, single button.

CALIBRATION VERIFICATION: Blinking green LED.
OPERATING TEMPERATURE: 32 to 122°F (0 to 50°C).
OPERATING HUMIDITY: 5% to 95% RH, noncondensing.
STORAGE TEMPERATURE: -22 to 140°F (-30 to 60°C).
OPERATING LIFE EXPECTANCY: 10 years typical.
WIRING CONNECTIONS: Leadwires in jacketed cable.
ENCLOSURE MATERIAL: ABS plastic, UL94-VO flammability rated; white satin finish.
DIMENSIONS: 4.5" x 2.8" x 0.9" (11.4 x 7.1 x 2.29 cm).
ACCESSORIES: Calkit-2 calibration kit.



CALKIT-2 CALIBRATION KIT

17 liter (2.8" dia. x 12" tall) cylinder of calibration gas, constant flow regulator with shut-off valve, 4-digit LED display with interface cable, and all required tubing and fittings packaged in 16.8" x 13.3" x 6" (42 x 34 x 15 mm) lockable high impact plastic case with foam insert.

WIRING CONNECTIONS

LEADWIRE COLOR	FUNCTION
Red (+)	24 vac (hot) or (+) 24 vdc
* Black (-)	24 vac (common) or (-) 24 vdc
White (+)	(+) 0-10 vdc output signal
* Green (ground)	(-) 0-10 vdc output signal

* Black (-) and Green (ground) leadwires are internally common. Negative 0-10 vdc output wiring can be connected to either black or green leadwire.

Model	Description	CO ₂ Range	Input Power	Output Signal
M307	Wall Mount CO ₂ Sensor	0 to 2000 ppm	18 to 28 vac or 18 to 30 vdc	0 to 10 vdc