

MS Series

REMOTE ACCESSORIES

for Duct Smoke Detectors

Provide remote visual and audible indication and remote test/reset functions for SM-501 and SL-2000 series duct smoke detectors.

- Red LED provides ALARM indication
- Green PILOT LED indicates normal operation.
- Momentary pushbutton or key switch for test/reset.
- MS-RH horn furnished on beige plastic plate; all other devices supplied with brushed stainless steel plate.

POWER REQUIREMENTS:

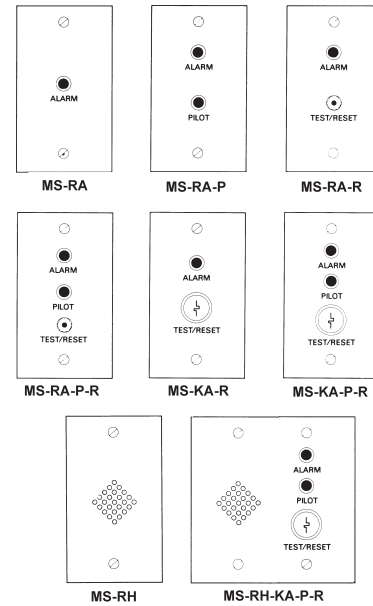
Alarm & Pilot LED: 15 ma @ 24 vdc.
Horn: 20ma @ 24 vdc.

TEST/RESET SWITCH: Normally Open.

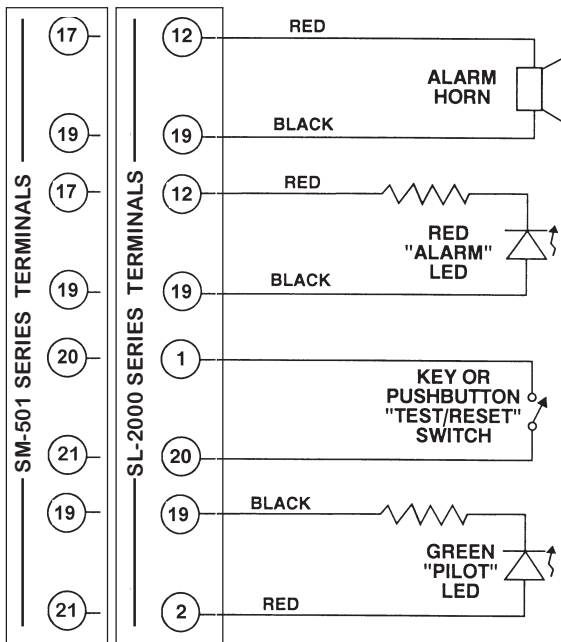
HORN SOUND PRESSURE: 78 db @ 10-feet.

DIMENSIONS:

Single Gang: 2.75" W x 4.5"H (70mm x 114mm).
Double Gang: 4.5" W x 4.5" H (114mm x 114mm).



TYPICAL WIRING



Model	Alarm LED	Pilot LED	Test/Reset Switch		Horn
			Momentary	Key	
MS-RA	X				
MS-RA-P	X	X			
MS-RA-R	X		X		
MS-RA-P-R	X	X	X		
MS-KA-R	X			X	X
MS-KA-P-R	X	X		X	X
MS-RH					
MS-RH-KA-P-R	X	X		X	X

WEATHERPROOF ENCLOSURES

for Duct Smoke Detectors

Provides protection for duct smoke detectors against rain, sleet and snow in outdoor installations; and, against dripping water indoors.

- Pre-punched holes for sampling/exhaust tubes.
- Conduit knockouts in bottom of enclosure.
- Drip shield enclosure top.
- All hardware included.

APPROVALS: UL50, Type 3R; NEMA Type 3R.

MATERIAL: 16-gauge steel; egg shell white finish.



Model	Description
WP-1	Enclosure for SM/RW Series detectors
WP-2000	Enclosure for SL Series detectors