

Provide early detection of presence of smoke and products of combustion in air moving through HVAC ducts and allow fans, blowers or complete systems to be shut down to prevent recirculation

- Ionization or photoelectric models available.
- Low flow design for air velocities from 100 to 4000 FPM.
- Universal voltage: 24, 115 or 230 vac; 24 vdc.
- No tools required for installation or testing.
- Interconnect up 30 detectors for common functions.
- Remote reset, alarm and indication available.

APPROVALS: UL listed; ULC listed; CSFM; MEA.

**POWER REQUIREMENTS:**

- For 230 vac: 8 ma standby, 16 ma alarm.
- For 115 vac: 14 ma standby, 27 ma alarm.
- For 24 vac: 40 ma standby; 60 ma alarm.
- For 24 vdc: 14 ma standby; 129 ma alarm.

**RELAY CONTACTS RATING (Resistive):**

- Alarm: 2 form "C" rated 10 amps @ 115 vac;  
1 form "A" rated 2 amps.
- Trouble: 1 set form 'C' rated 10 amps @ 115 vac.

AIR VELOCITY: 100 to 4000 feet per minute.



**AMBIENT TEMPERATURE:**

- SL-2000-N: 32° to 158°F (0° to 70°C).
- SL-2000-P: 32° to 140°F (0° to 60°C).

WIRING CONNECTIONS: Terminals for 12 to 22 awg wire.

MATERIAL: Grey plastic backbox; clear plastic cover.

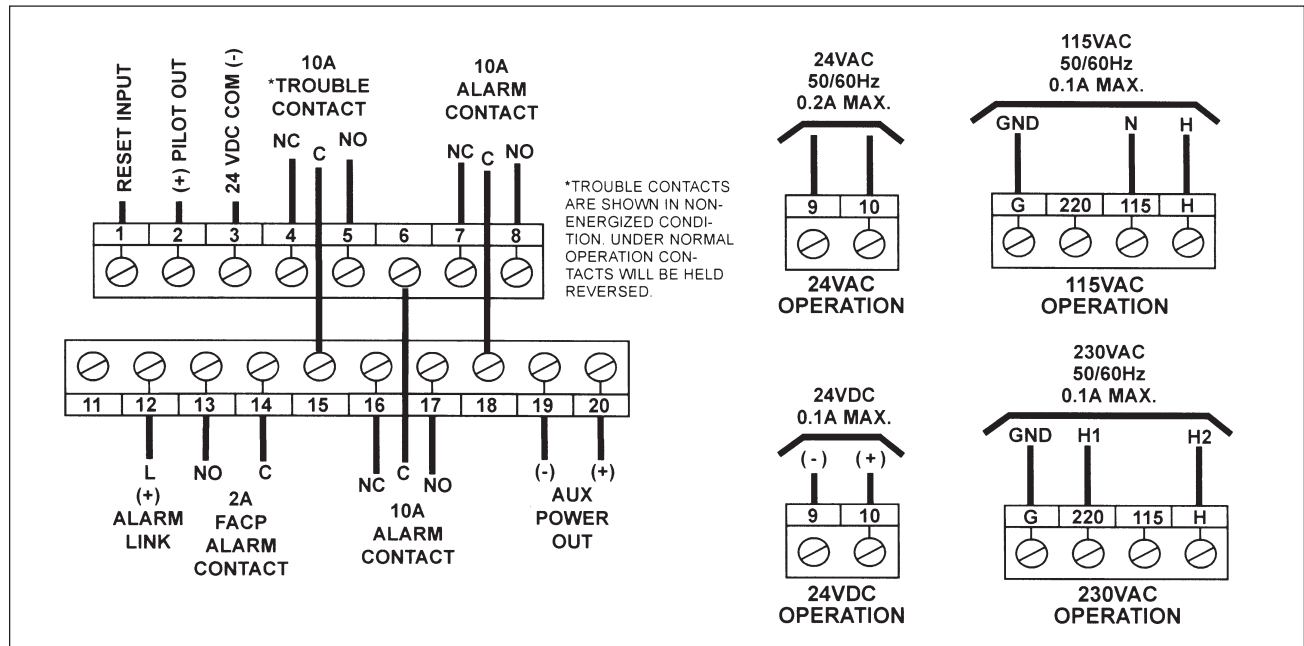
RADIOACTIVE ELEMENT (SL-2000-N): Americium 241, 0.9 micro-curie.

DIMENSIONS: 13.5"L x 4.5"W x 2.3"D (34x115x6 cm).

**ACCESSORIES:**

- MS series remote reset, alarm or indication units.
- WP-2000 weatherproof enclosure.
- TG-2000 Aerosol test gas.

**WIRING CONNECTIONS**



Model	Description	Comments
SL-2000-N	Ionization Duct Smoke Detector	includes detector, 7 inch exhaust tube, and installation package with mounting template
SL-2000-P	Photoelectric Duct Smoke Detector	
STN-1	Air Intake Sampling tube for 12-in or less duct	- one sampling tube required for each detector - order appropriate length sampling tube and cut to extend entire width of duct
STN-2.5	Air Intake Sampling Tube for 6-in to 2.5-ft duct	
STN-5	Air Intake Sampling Tube for 2.5-ft to 5-ft duct	
STN-10	Air Intake Sampling Tube for 5-ft to 10-ft duct	