

Provide low limit temperature control and/or indication in operating dampers, valves, and compressor or fan motors in HVAC systems.

- Manual and automatic reset models available.
- SPDT switching action.
- Responsive to lowest temperature sensed along any one foot section of capillary element.
- Setpoint visible through front cover and adjustable from top of controller case.
- Test lever for manual operation during checkout.
- Manual reset models cannot be reset until sensed temperature is at least 5°F (2.8°C) above setpoint.
- Automatic reset models automatically reset when sensed temperature rises 5°F (2.8°C) above setpoint.



APPROVALS: UL, ULC listed; CE, RoHs compliant.
SWITCH ACTION: SPDT, snap acting.
SWITCH RATING: See Table A.
DIFFERENTIAL: 4.5°F (2.5°C), fixed.
SENSING ELEMENT: Vapor-filled copper capillary tin-plated, 5/64" (2mm) diameter, 20-foot length.
RESPONSE: To lowest temperature sensed by any one foot section of capillary element.
MATERIAL: Plated steel case; plastic cover

TEMPERATURE LIMITS:

-60°F to 160°F (-51°C to 71°C), operating
300°F (149°C) maximum at sensing element.

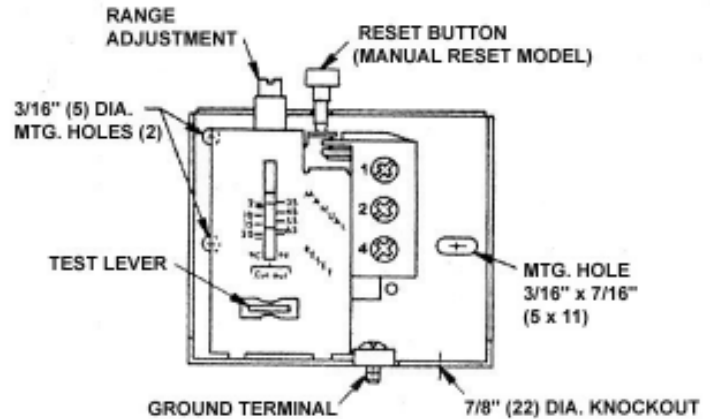
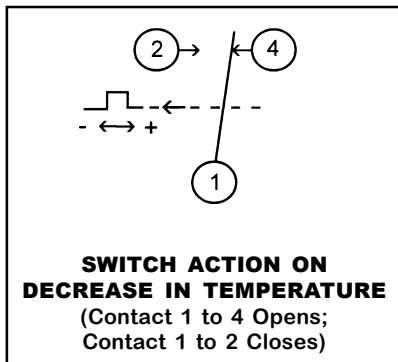
MOUNTING: Surface mount with capillary installed in horizontal serpentine pattern.

DIMENSIONS: 2.94"H x 3.35"W x 1.57"D
(75mm x 85mm x 40mm).

ACCESSORIES: FX-4520 capillary mounting clip.

TABLE A. ELECTRICAL RATINGS

INDUCTIVE	120 vac	240 vac
F.L.A.	24 Amps	24 Amps
L.R.A.	144 Amps	144 Amps
HP	2 HP	3 HP
PILOT DUTY	720 va max @ 120 to 600 vac; 144 va max @ 24 vac	



Model	Reset Action	Switch Action	Capillary Length	Setpoint Range	Differential Fixed	Capillary Clips
FS-30	Manual	SPDT	20-ft (609 cm)	35° to 68°F (1.7° to 20°C)	4.5°F (2.5°C)	Order Separately
FS-33	Automatic					