

Provide low limit temperature control and/or indication in operating dampers, valves, and compressor or fan motors in HVAC systems.

- Manual and automatic reset models available.
- DPDT (two SPDT) switching action.
- Responsive to lowest temperature sensed along any one foot section of capillary element.
- Setpoint visible through front cover and adjustable from top of controller case.
- Test lever for manual operation during checkout.
- Manual reset models cannot be reset until sensed temperature is at least 5°F (2.8°C) above setpoint.
- Automatic reset models automatically reset when sensed temperature rises 5°F (2.8°C) above setpoint.



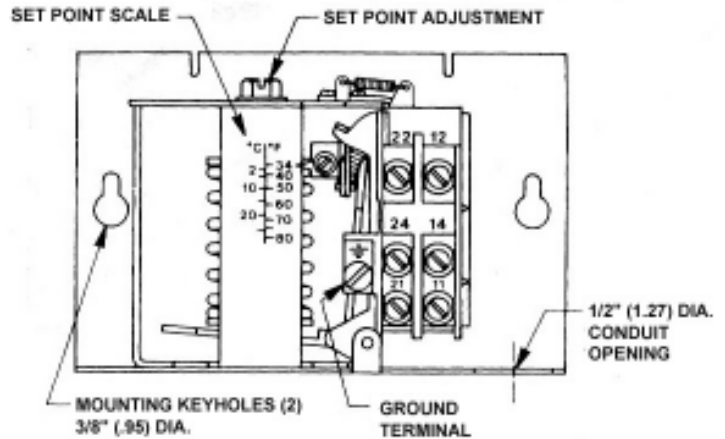
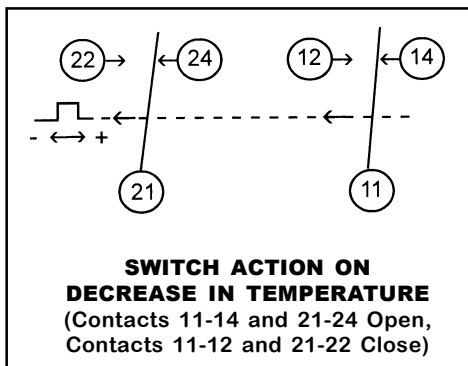
APPROVALS: UL, ULC listed; CE, RoHs compliant.
SWITCH ACTION: DPDT (two SPDT), snap acting.
SWITCH RATING: See Table A.
DIFFERENTIAL: 4.5°F (2.5°C), fixed.
SENSING ELEMENT: Vapor-filled copper capillary tin-plated, 3/32" (2.4mm) diameter, 6-foot or 20-foot length depending on model number selected.
RESPONSE: To lowest temperature sensed by any one foot section of capillary element.

TEMPERATURE LIMITS:

-60°F to 160°F (-51°C to 71°C), operating
300°F (149°C) maximum at sensing element.
MATERIAL: Plated steel case; plastic cover
MOUNTING: Surface mount with capillary installed in horizontal serpentine pattern.
DIMENSIONS: 3.63"H x 5.5"W x 2.63"D
(92mm x 140mm x 67mm).
ACCESSORIES: FX-4520 capillary mounting clip.

TABLE A. ELECTRICAL RATINGS

INDUCTIVE	120 vac	240 vac
F.L.A.	14 Amps	12 Amps
L.R.A.	84 Amps	72 Amps
HP	3/4 HP	2 HP
PILOT DUTY	720 va max @ 120 to 600 vac; 144 va max @ 24 vac	



Model	Reset Action	Switch Action	Capillary Length	Setpoint Range	Differential Fixed	Capillary Clips
FS-50	Manual	DPDT	20-ft (609 cm)	34° to 70°F (1.1° to 21°C)	4.5°F (2.5°C)	5 Clips Supplied
FS-53	Automatic					
FS-61	Manual	DPDT	6-ft (183 cm)	34° to 70°F (1.1° to 21°C)	4.5°F (2.5°C)	3 Clips Supplied
FS-64	Automatic					