

### Description

The KMC CTE-6100 Series thermostats are available in three basic models to provide low and line voltage control of fan motors, valves and relays in fan coil units and other packaged units for commercial, industrial and residential heating, ventilating and air conditioning applications.

The CTE-6100 models are available for 24, 120, 240 and 277 VAC applications requiring two-pipe heating/cooling changeover, two-pipe heating or cooling, two-pipe heating and cooling, and four-pipe heating and cooling. All models provide a three-speed fan switch for low, medium and high speed.

These thermostats may be mounted directly to a wall or fan coil units, or to a two-gang electrical handy box using the optional HMO-5044 wall plate.

### Features

- ◆ Available for 24, 120, 240 and 277 VAC applications
- ◆ Three speed fan switch provides High, Medium and Low speed selections
- ◆ May be mounted on wall or electrical handy box using optional HMO-5044.

### Models

Available models are listed in the following table:

MODELS	50-90° F	10-30°C	Thermostat Voltage	System Switch	Fan Switch	Application
CTE-6101	-10	-11	24 VAC	ON-OFF	HI-MED-LOW	2-pipe: heating only or cooling only; heating/cooling w/changeover switch
CTE-6111	-10	-11	120 VAC			
CTE-6121	-10	-11	240 VAC			
CTE-6131	-10	-11	277 VAC			
CTE-6102	-10	-11	24 VAC	COOL-OFF-HEAT	HI-MED-LOW	2-pipe: heating/cooling using system switch for manual changeover
CTE-6112	-10	-11	120 VAC			
CTE-6122	-10	-11	240 VAC			
CTE-6132	-10	-11	277 VAC			
CTE-6103	-10	-11	24 VAC	COOL-OFF-HEAT	HI-MED-LOW	4-pipe: heating/cooling using system switch for manual changeover
CTE-6113	-10	-11	120 VAC			
CTE-6123	-10	-11	240 VAC			
CTE-6133	-10	-11	277 VAC			

*Specifications and design subject to change without notice.*



### Application

The KMC CTE-6100 series thermostats are designed to provide low and line voltage control of fan motors, valves and relays in fan coil units and other packaged units for commercial, industrial and residential heating, ventilating and air conditioning applications.

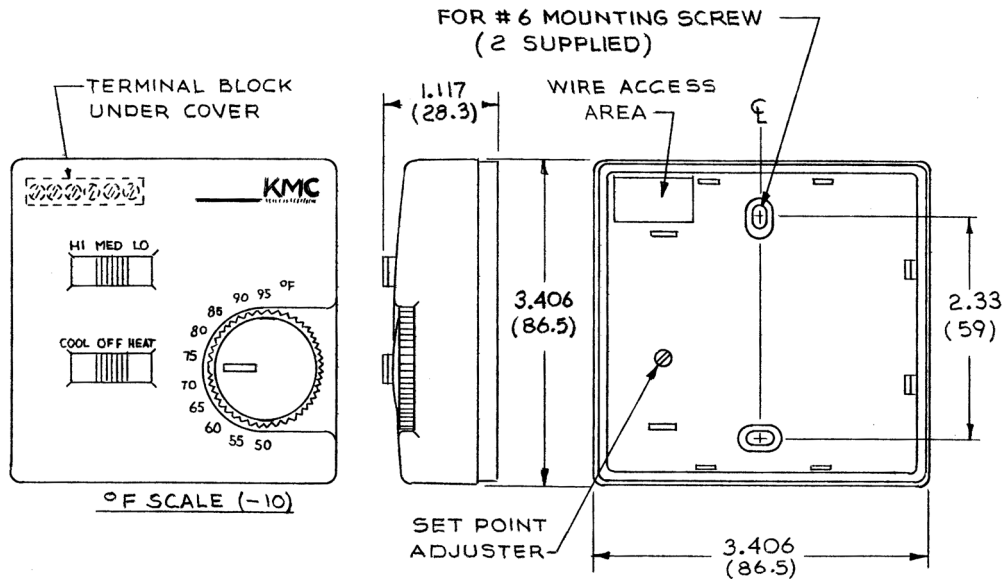
### Accessories

The following accessories are available:

HMO-5044      Wall plate for two-gang or European Box

## Details

All dimensions are in inches (mm).



## Specifications

### Thermostat Switch Ratings

#### Heating

24 VAC Models	10 VA
120-277 VAC Models	8 VA

#### Cooling

24 VAC Models	10 VA
120-277 VAC Models	50 VA

### Fan/System Switch Ratings

120 VAC Models	5.8 FLA/ 34.8 LRA
240 VAC Models	4.9 FLA/ 29.4 LRA
277 VAC Models	4.1 FLA/ 24.5 LRA

#### Pilot duty

24 VAC Models	24 VA
120-277 VAC Models	125 VA

### Electrical Connections

14 AWG Maximum

### Set Point Adjustment Range

-10 Models	50°F to 90°F
-11 Models	10°C to 32°C

### Operating Differential

2°F (1.1°C) nominal

### Sensing Element

Bimetal

### Material

Light Almond ABS  
UL Flame Class 94 VO

### Weight

.216 lbs (98 g)

### Approvals

UL Listed, CUL Listed

### Temperature Limits

Operating	32° to 130° F (0 to 54° C)
Shipping	-40° to 140°F (-40 to 60°C)

### KMC Controls, Inc.

19476 Industrial Drive

New Paris, IN 46553

574.831.5250

www.kmccontrols.com